

Installation manual

RotoShelf[®] MD 1875/3 FA

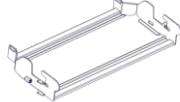











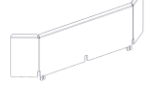





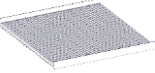


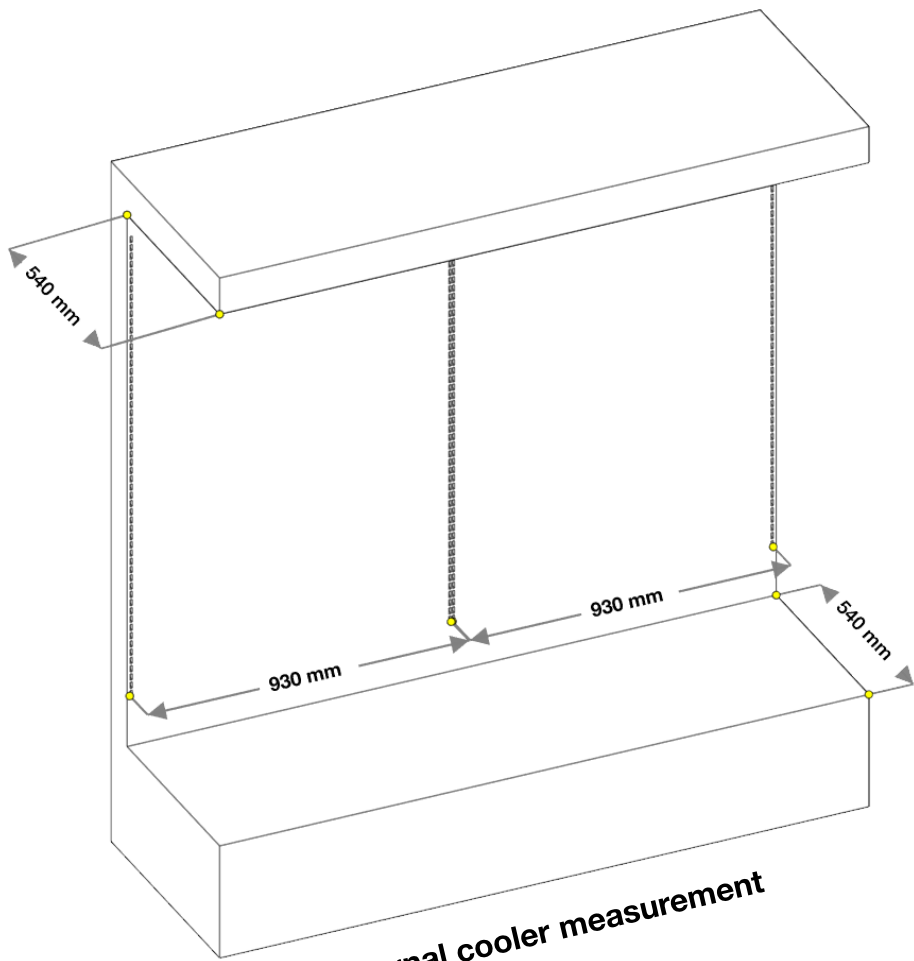
STANDARD SET - RotoShelf® MD 1875/3 FA - TOP Art. No **0181-000**

RotoShelf MD 1875/3 FA packing details							PARTS							RotoShelf MD 1875/3 FA packing details							PARTS																																																											
SET Art. No	Picture packing	Picture	Product name	Art. No	Weight/ item	Qty	SET Art. No	Picture packing	Picture	Product name	Art. No	Weight/ item	Qty	SET Art. No	Picture packing	Picture	Product name	Art. No	Weight/ item	Qty																																																												
1/7			Top Part	0181-11000-0 0181-11100-0	4,620 kg	1	3/7 A 0193-50000-0 packing 435 x 370 x 80 /mm/, weight = 6,8 kg			Top console - LEFT	0193-52001-0	0,670 kg	1	5/7 100515 packing 620 x 535 x 270 /mm/, weight = 16 kg			Shelf 70 Housing	0193-41000-0	1,811 kg	4		Shelf 70 universal white	400418	1,195 kg	4		Frontstopper UNI 70 113 mm	0070-00113	0,235 kg	4		Divider Uni 70-90 white	400393	0,044 kg	28		Plastlabel RS90F11 585*37*0,8	400450	0,020 kg	4																																								
			Bottom Part	0181-12000-0 0181-12100-0	13,500 kg	1				Top console - RIGHT	0193-52001-1	0,670 kg	1				Bottom console - LEFT	0193-51001-0	1,403 kg	1		Bottom console - RIGHT	0193-51001-1	1,403 kg	1		brackets 25/30 mm	0193-51002-0	0,471 kg	4		Connecting mat. for -Brackets	0193-53000-0	0,208 kg	1		Middle 30 bracket-Right Bottom	0181-71001-0	0,985 kg	1		Middle 30 bracket-Left Bottom	0181-71001-1	0,985 kg	1		Middle 30 bracket-Right Top	0181-71002-0	0,540 kg	1		Middle 30 bracket-Left Top	0181-71002-1	0,540 kg	1		Middle 25 bracket-Right Bottom	0181-61004-0	0,985 kg	1		Middle 25 bracket-Left Bottom	0181-61004-1	0,985 kg	1		Middle 25 bracket-Right Top	0181-61005-0	0,540 kg	1		Middle 25 bracket-Left Top	0181-61005-1	0,540 kg	1		Connecting mat. for -Brackets	0181-71000-0	0,150 kg	1
			Adjustable frame	0193-13000-0	4,494 kg	2				Middle 30 bracket-Right Bottom	0181-71001-0	0,985 kg	1				Middle 30 bracket-Left Bottom	0181-71001-1	0,985 kg	1		Middle 30 bracket-Right Top	0181-71002-0	0,540 kg	1		Middle 30 bracket-Left Top	0181-71002-1	0,540 kg	1		Middle 25 bracket-Right Bottom	0181-61004-0	0,985 kg	1		Middle 25 bracket-Left Bottom	0181-61004-1	0,985 kg	1		Middle 25 bracket-Right Top	0181-61005-0	0,540 kg	1		Middle 25 bracket-Left Top	0181-61005-1	0,540 kg	1		Connecting mat. for -Brackets	0181-71000-0	0,150 kg	1																									
			Handle for frame	0193-30000-0	0,415 kg	2				Middle 30 bracket-Right Top	0181-71002-0	0,540 kg	1				Middle 30 bracket-Left Top	0181-71002-1	0,540 kg	1		Middle 25 bracket-Right Bottom	0181-61004-0	0,985 kg	1		Middle 25 bracket-Left Bottom	0181-61004-1	0,985 kg	1		Middle 25 bracket-Right Top	0181-61005-0	0,540 kg	1		Middle 25 bracket-Left Top	0181-61005-1	0,540 kg	1		Connecting mat. for -Brackets	0181-71000-0	0,150 kg	1																																			
			Connecting mat. for -Frame	0181-80000-0	0,620 kg	1				Handle for frame	0193-30000-0	0,415 kg	1				Middle 25 bracket-Right Bottom	0181-61004-0	0,985 kg	1		Middle 25 bracket-Left Bottom	0181-61004-1	0,985 kg	1		Middle 25 bracket-Right Top	0181-61005-0	0,540 kg	1		Middle 25 bracket-Left Top	0181-61005-1	0,540 kg	1		Connecting mat. for -Brackets	0181-71000-0	0,150 kg	1																																								
2/7			Top Part	0181-11000-0 0181-11200-0	2,350 kg	1	4/7 A 0181-70000-0 packing 435 x 370 x 80 /mm/, weight = 6,8 kg			Middle 30 bracket-Right Bottom	0181-71001-0	0,985 kg	1	6/7 100515 packing 620 x 535 x 270 /mm/, weight = 16 kg			Shelf 70 Housing	0193-41000-0	1,811 kg	4		Shelf 70 universal white	400418	1,195 kg	4		Frontstopper UNI 70 113 mm	0070-00113	0,235 kg	4		Divider Uni 70-90 white	400393	0,044 kg	28		Plastlabel RS90F11 585*37*0,8	400450	0,020 kg	4																																								
			Bottom Part	0181-12000-0 0181-12200-0	7,400 kg	1				Middle 30 bracket-Left Bottom	0181-71001-1	0,985 kg	1				Middle 30 bracket-Right Top	0181-71002-0	0,540 kg	1		Middle 30 bracket-Left Top	0181-71002-1	0,540 kg	1		Middle 25 bracket-Right Bottom	0181-61004-0	0,985 kg	1		Middle 25 bracket-Left Bottom	0181-61004-1	0,985 kg	1		Middle 25 bracket-Right Top	0181-61005-0	0,540 kg	1		Middle 25 bracket-Left Top	0181-61005-1	0,540 kg	1		Connecting mat. for -Brackets	0181-71000-0	0,150 kg	1																														
			Adjustable frame	0193-13000-0	4,494 kg	1				Middle 30 bracket-Right Top	0181-71002-0	0,540 kg	1				Middle 30 bracket-Left Top	0181-71002-1	0,540 kg	1		Middle 25 bracket-Right Bottom	0181-61004-0	0,985 kg	1		Middle 25 bracket-Left Bottom	0181-61004-1	0,985 kg	1		Middle 25 bracket-Right Top	0181-61005-0	0,540 kg	1		Middle 25 bracket-Left Top	0181-61005-1	0,540 kg	1		Connecting mat. for -Brackets	0181-71000-0	0,150 kg	1																																			
			Handle for frame	0193-30000-0	0,415 kg	1				Middle 30 bracket-Left Top	0181-71002-1	0,540 kg	1				Middle 25 bracket-Right Bottom	0181-61004-0	0,985 kg	1		Middle 25 bracket-Left Bottom	0181-61004-1	0,985 kg	1		Middle 25 bracket-Right Top	0181-61005-0	0,540 kg	1		Middle 25 bracket-Left Top	0181-61005-1	0,540 kg	1		Connecting mat. for -Brackets	0181-71000-0	0,150 kg	1																																								
			Connecting mat. for -Frame	0181-80000-0	0,620 kg	1				Middle 25 bracket-Right Bottom	0181-61004-0	0,985 kg	1				Middle 25 bracket-Left Bottom	0181-61004-1	0,985 kg	1		Middle 25 bracket-Right Top	0181-61005-0	0,540 kg	1		Middle 25 bracket-Left Top	0181-61005-1	0,540 kg	1		Connecting mat. for -Brackets	0181-71000-0	0,150 kg	1																																													

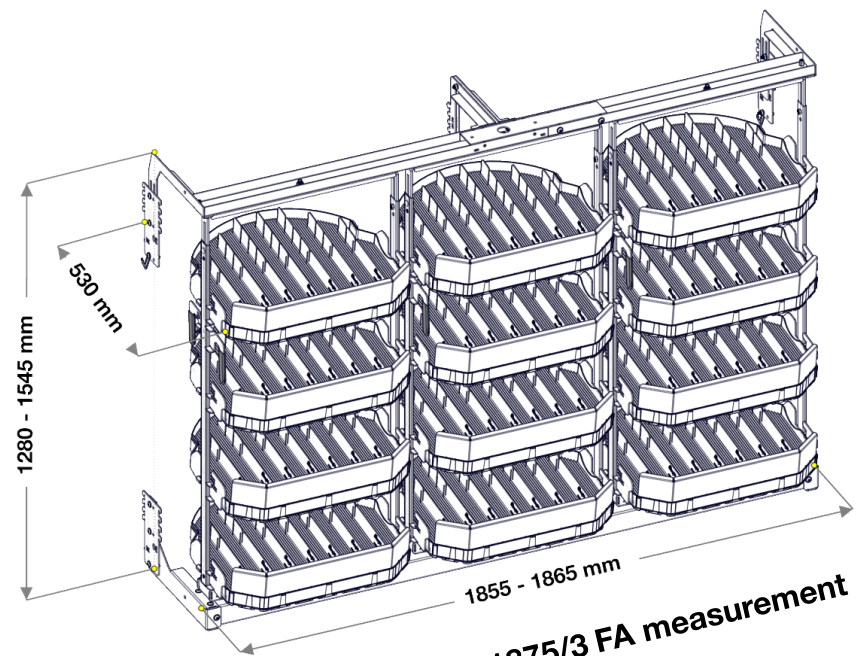
EXTRA SET - RotoShelf® MD 1875/3 FA

RotoShelf MD 1875/3 FA packing details				PARTS				RotoShelf MD 1875/3 FA packing details				PARTS			
SET Art. No	Picture packing	Picture	Product name	Art. No	Weight/ item	Qty	SET Art. No	Picture packing	Picture	Product name	Art. No	Weight/ item	Qty		
100514 packing 650 x 580 x 200 /mm/, weight = 10,2 kg			Bottom Shelf	0155-44100-0	1,800 kg	2	3/7 B 100517 packing 435 x 370 x 80 /mm/, weight = 6,8 kg			Top console - LEFT	0193-52001-0	0,670 kg	1		
			Shelf Universal 620 Gray	400394	2,170 kg	2				Top console - RIGHT	0193-52001-1	0,670 kg	1		
			Frontstopper UNI620 High H 113 mm	0620-00113	0,213 kg	2				Bottom console - LEFT	0193-51001-0	1,403 kg	1		
			Divider Easyfill Uni 620	400476	0,050 kg	16				Bottom console - RIGHT	0193-51001-1	1,403 kg	1		
0193-70000-0 packing 650 x 580 x 140 /mm/, weight = 5,9 kg			Bottom Shelf	0155-44100-0	1,800 kg	1	4/7 B 0181-60000-0 packing 435 x 370 x 80 /mm/, weight = 6,8 kg			brackets 25/32 mm	0193-51003-0	0,471 kg	4		
			Shelf Universal 620 Gray	400394	2,170 kg	1				Connecting mat. for - Brackets	0193-53000-0	0,208 kg	1		
			Frontstopper UNI620 High H 113 mm	0620-00113	0,213 kg	1				Middle 32 bracket-Right Bottom	0181-61002-0	0,985 kg	1		
			Divider Easyfill Uni 620	400476	0,050 kg	8				Middle 32 bracket-Left Bottom	0181-61002-1	0,985 kg	1		
0193-40000-0 packing 610 x 525 x 125 /mm/, weight = 4,5 kg			Shelf 70 Housing	0193-41000-0	1,811 kg	1			Middle 32 bracket-Right Top	0181-61003-0	0,540 kg	1			
			Shelf 70 universal white	400418	1,195 kg	1			Middle 32 bracket-Left Top	0181-61003-1	0,540 kg	1			
			Frontstopper UNI 70 H 113 mm	0070-00113	0,235 kg	1			Middle 25 bracket-Right Bottom	0181-61004-0	0,985 kg	1			
			Divider Uni 70-90 white	400393	0,044 kg	7			Middle 25 bracket-Left Bottom	0181-61004-1	0,985 kg	1			
			Plastlabel RS90F11 585*37*0,8	400450	0,020 kg	1			Middle 25 bracket-Right Top	0181-61005-0	0,540 kg	1			
			brackets 25/32	0193-51003-0	0,471 kg	4			Middle 25 bracket-Left Top	0181-61005-1	0,540 kg	1			
100513 weight = 1,884 kg			brackets 25/32	0193-51003-0	0,471 kg	4		Connecting mat. for - Brackets	0181-71000-0	0,150 kg	1				

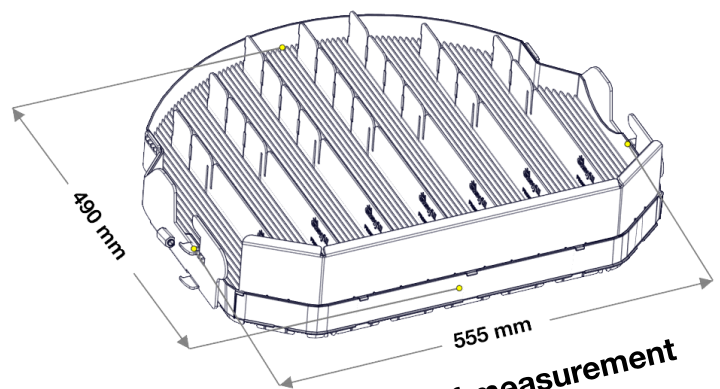
Rotoshelf MD packing details		ACCESSORIES				Rotoshelf MD packing details		ACCESSORIES			
	Picture	Product name	Art. No	Weight/ item	Qty.		Picture	Product name	Art. No	Weight/ item	Qty.
		Shelf 70 Housing	0193-41000-0	1,811 kg	1			Divider Easyfill Uni 620	400476	0,050 kg	1
		Shelf 70 universal white	400418	1,195 kg	1			Divider extender L=483 mm	889090	0,030 kg	1
		Price List		0,050 kg	1			Pusher	0118-00000-0	0,050 kg	1
		Divider Uni 70-90 white	400393	0,044 kg	1			Rollertrack	400392	0,150 kg	1
		Frontstopper UNI 70 H 113 mm	0070-00113	0,235 kg	1			Handle for frame	0193-30000-0	0,415 kg	1
		Frontstopper UNI 70 H 54 mm	0070-00054	0,112 kg	1			Frontstopper UNI620 High H 113 mm	0620-00113	0,213 kg	1
		Frontstopper UNI 70 H 163 mm	0070-00163	0,345 kg	1			Frontstopper UNI620 Low H 54 mm	0620-00054	0,150 kg	1
		Plastlabel RS90F11 585*37*0,8	400450	0,020 kg	1			Frontstopper UNI620 ExtraHigh H163 mm	0620-00163	0,330 kg	1
		Bottom Shelf	0155-44100-0	1,800 kg	1			Divider extender L=300 mm	889091	0,020 kg	1
		Shelf Universal 620 Gray	400394	2,170 kg	1						



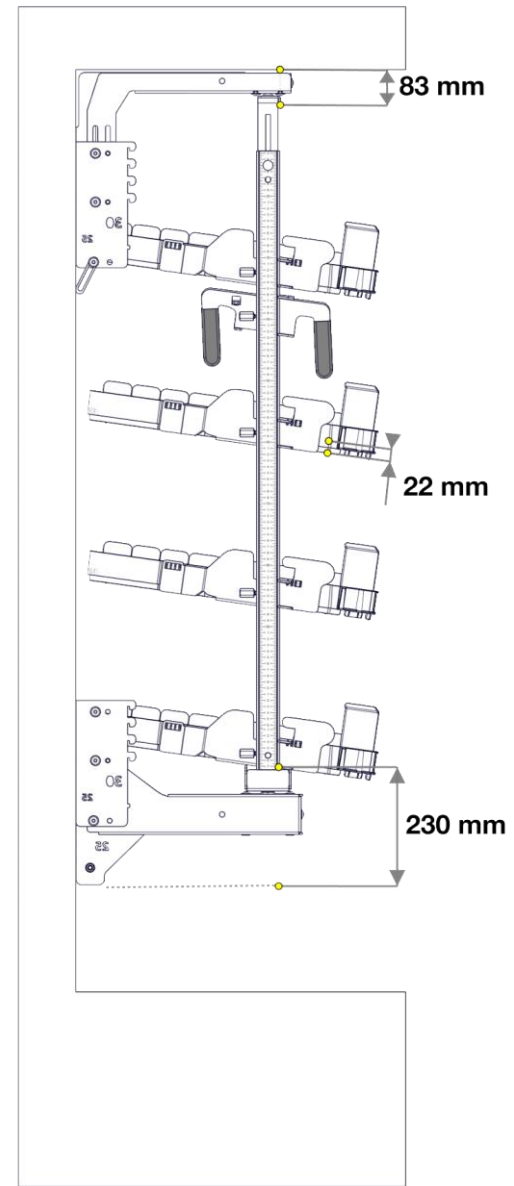
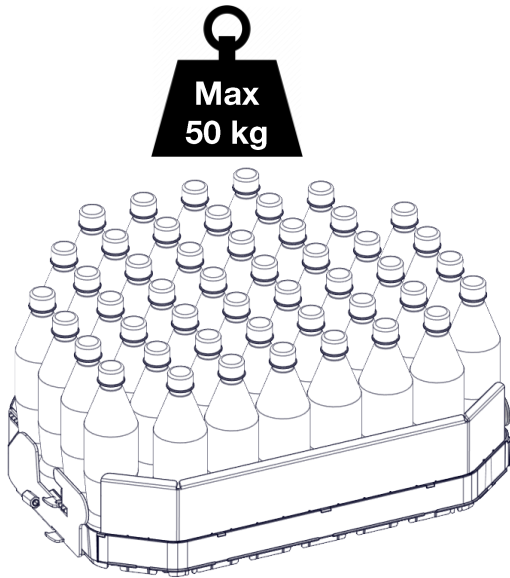
internal cooler measurement



external RS MD 1875/3 FA measurement



**internal shelf measurement
shelf universal 70**



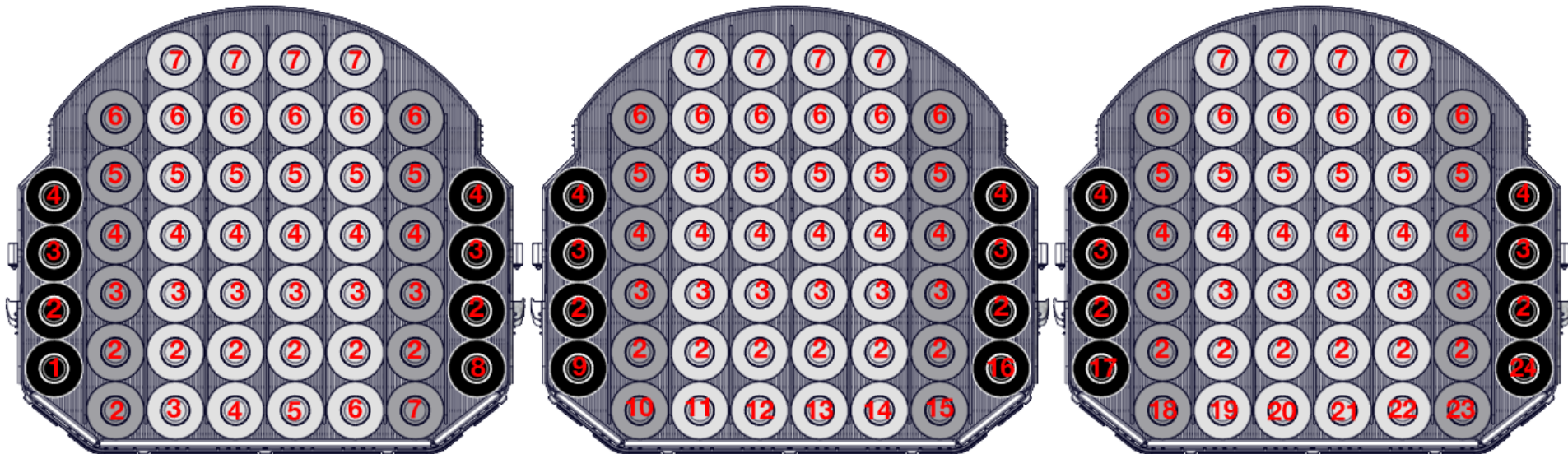
RS MD 1875/3 FA measurement

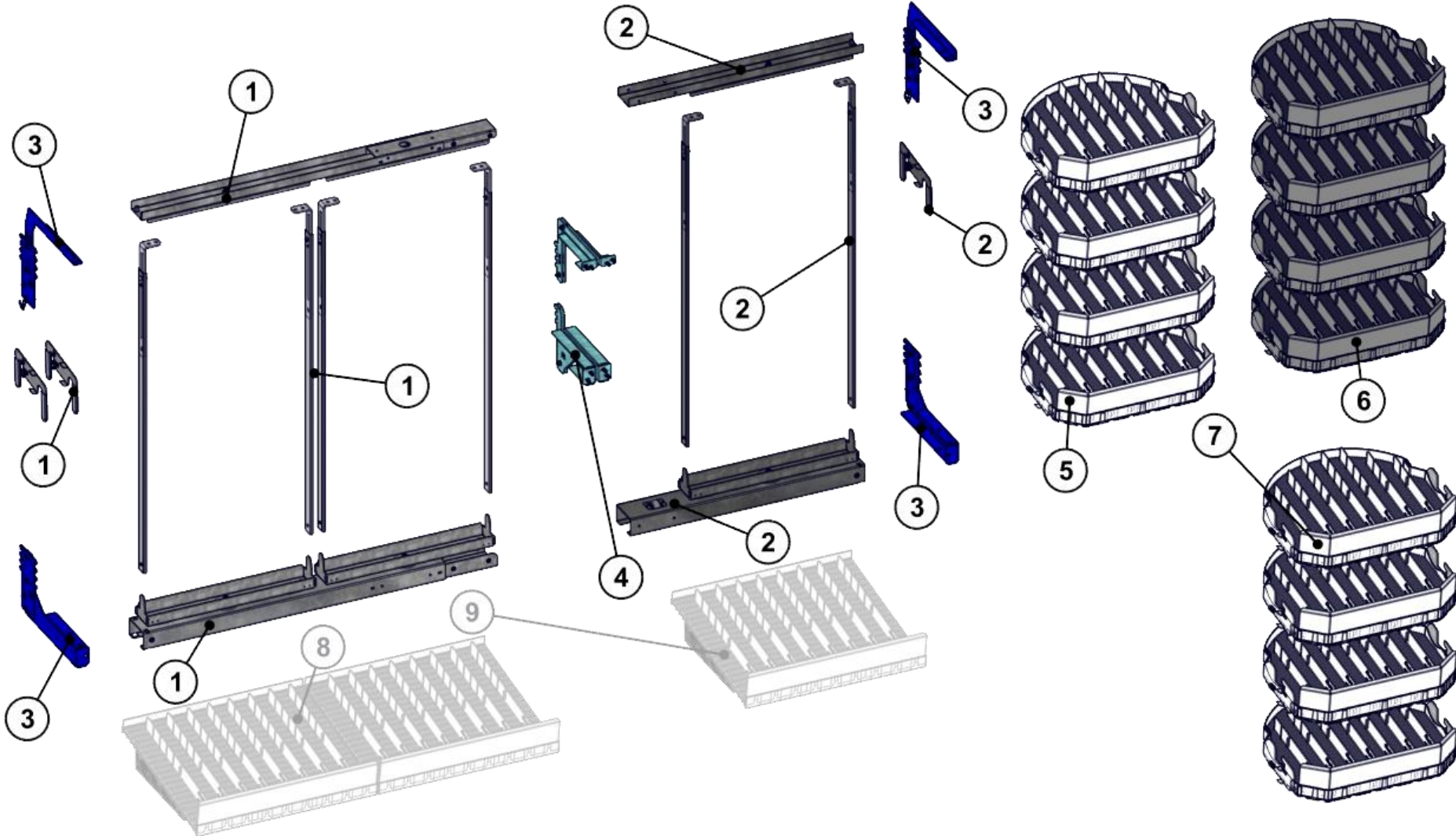


- 500 ml PET
- Ø 65 mm
- 0,48 m²

$$\begin{aligned} 4 \times 6 &= 24 \\ 6 \times 6 &= 36 \\ 7 \times 12 &= 84 \end{aligned}$$

= 144





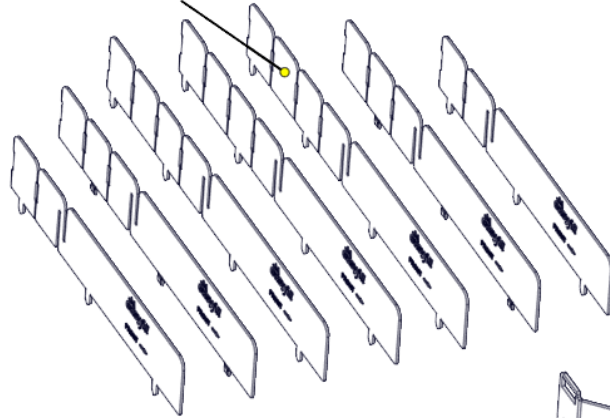
BOM ID	TOP ART.NO	PACKING	SET ART. NO
1	--- 0181-000	----- 1/7	----- 0181-01000-0 A
2	--- 0181-000	----- 2/7	----- 0181-01000-0 B
3	--- 0181-000	----- 3/7 A	----- 0193-50000-0
4	--- 0181-000	----- 4/7 A	----- 0181-70000-0
5	--- 0181-000	----- 5/7	----- 100515

BOM ID	TOP ART.NO	PACKING	SET ART. NO
6	--- 0181-000	----- 6/7	----- 100515
7	--- 0181-000	----- 7/7	----- 100515
8	--- extra set	-----	----- 100514
9	--- extra set	-----	----- 0193-70000-0

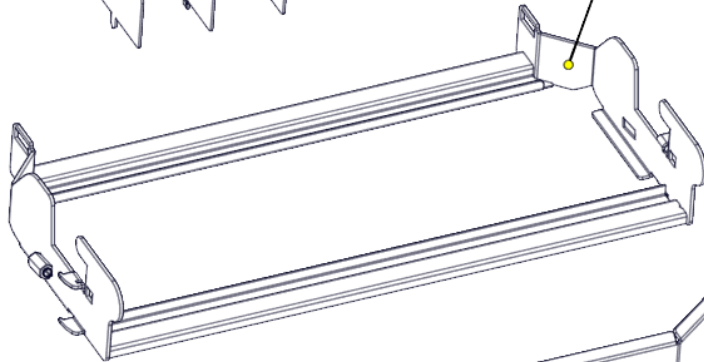
SET Art.No. 100515

Art. No. 0193-40000-0 (4x)

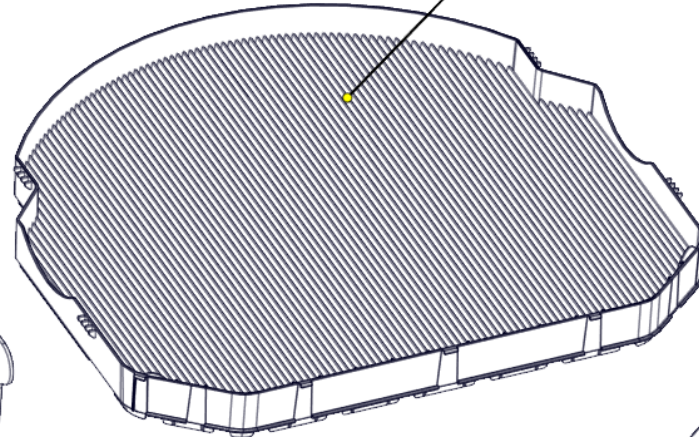
Divider Uni 70-90 white
Art. NO 400393



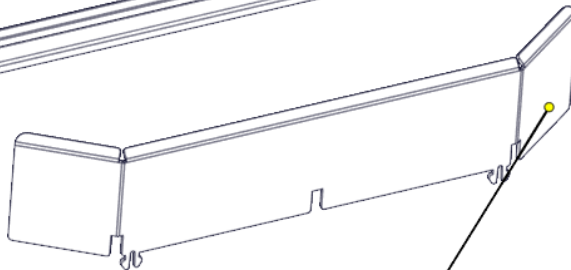
Shelf 70 Housing
Art. NO 0193-41000-0



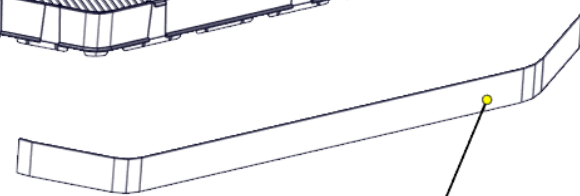
Shelf 70 universal white
Art. NO 400418

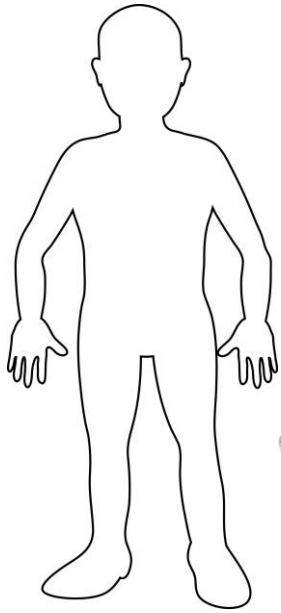


Frontstopper UNI 70 - H 130 mm
Art. NO 0070-00113

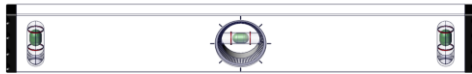


Plastlabel RS90F11 585*37*0,8
Art. NO 400450

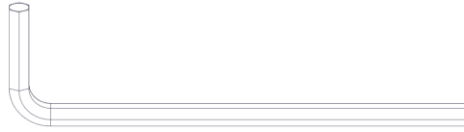




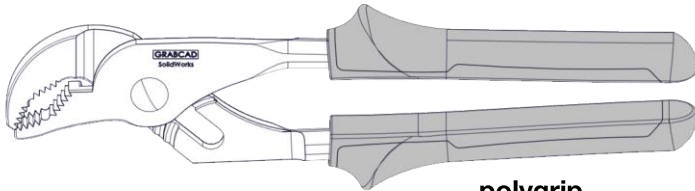
wrench 13



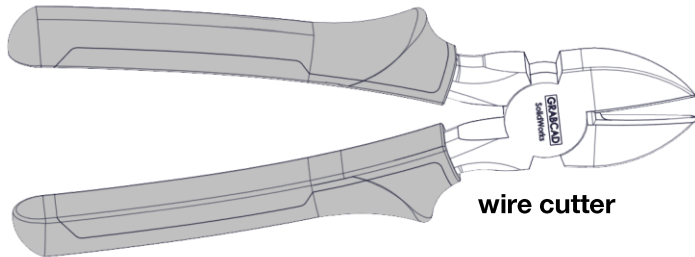
level



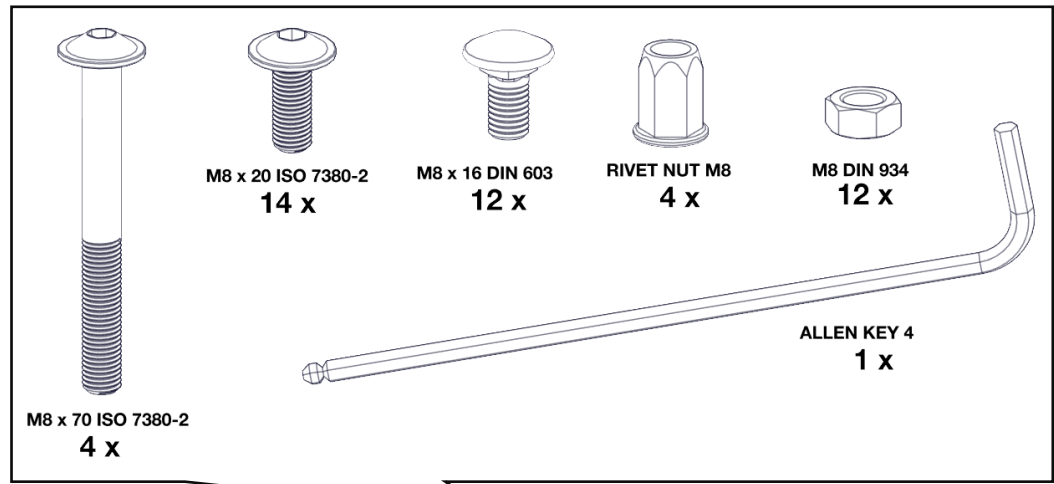
allen key 5



polygrip



wire cutter



M8 x 70 ISO 7380-2
4 x

M8 x 20 ISO 7380-2
14 x

M8 x 16 DIN 603
12 x

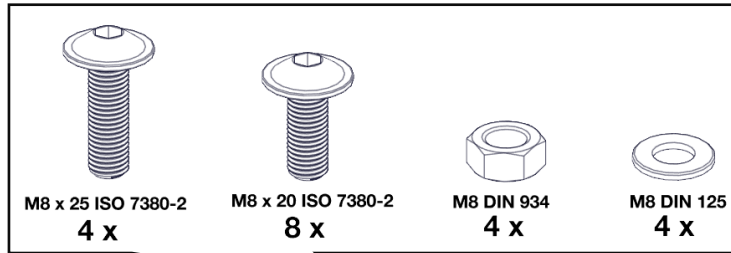
RIVET NUT M8
4 x

M8 DIN 934
12 x

ALLEN KEY 4
1 x



0181-80000-0



M8 x 25 ISO 7380-2
4 x

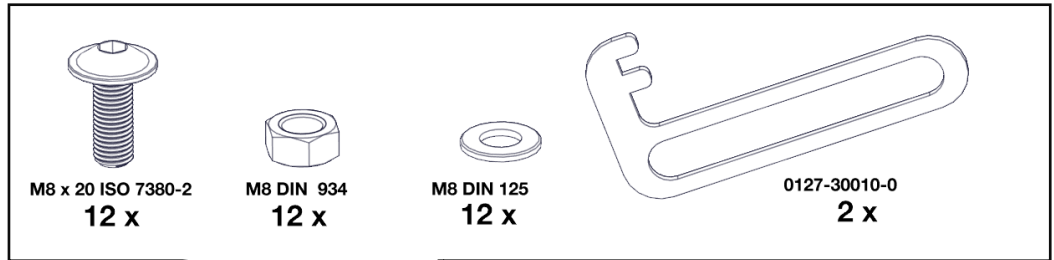
M8 x 20 ISO 7380-2
8 x

M8 DIN 934
4 x

M8 DIN 125
4 x



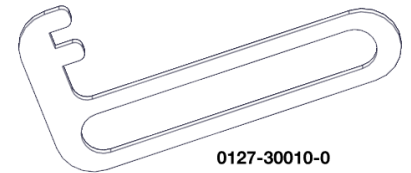
0181-71000-0



M8 x 20 ISO 7380-2
12 x

M8 DIN 934
12 x

M8 DIN 125
12 x



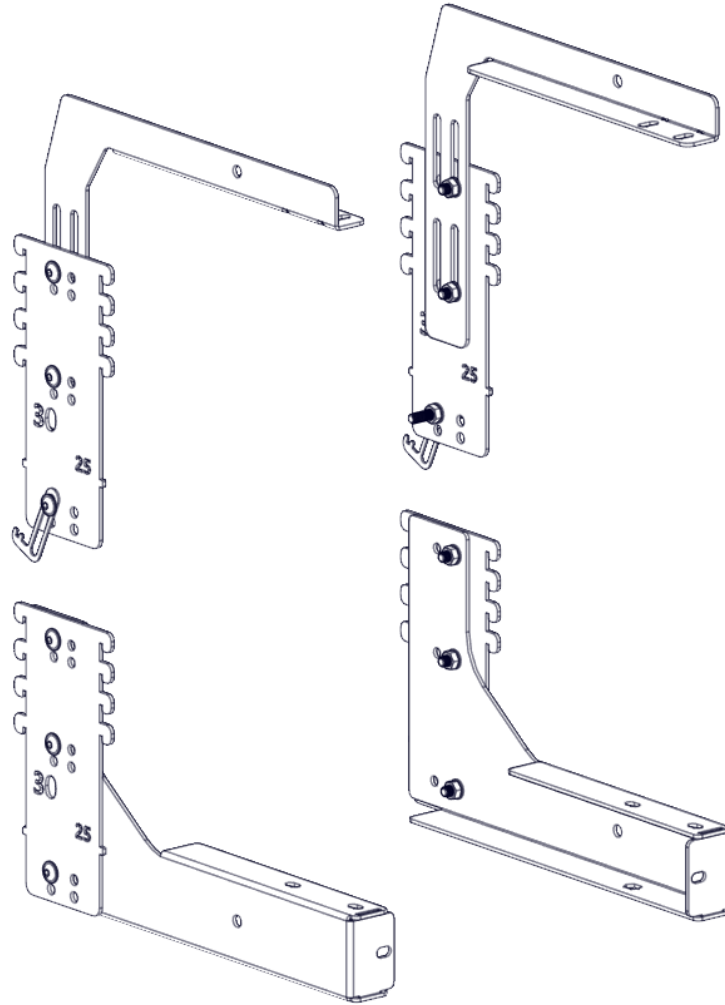
0127-30010-0
2 x



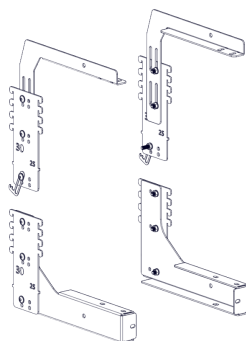
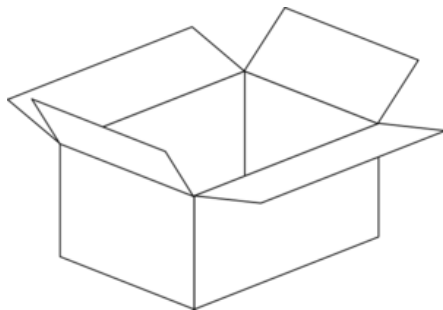
0193-53000-0





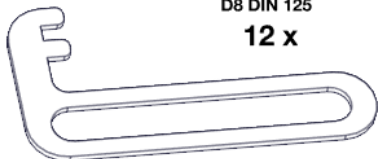
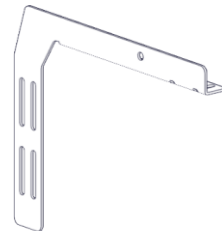
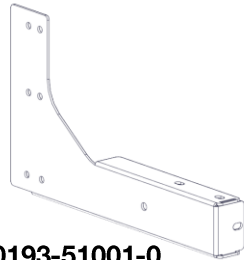
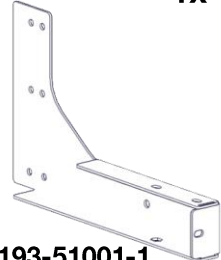
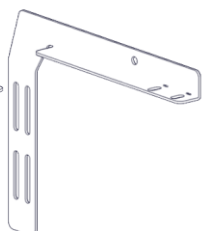

Installation of brackets

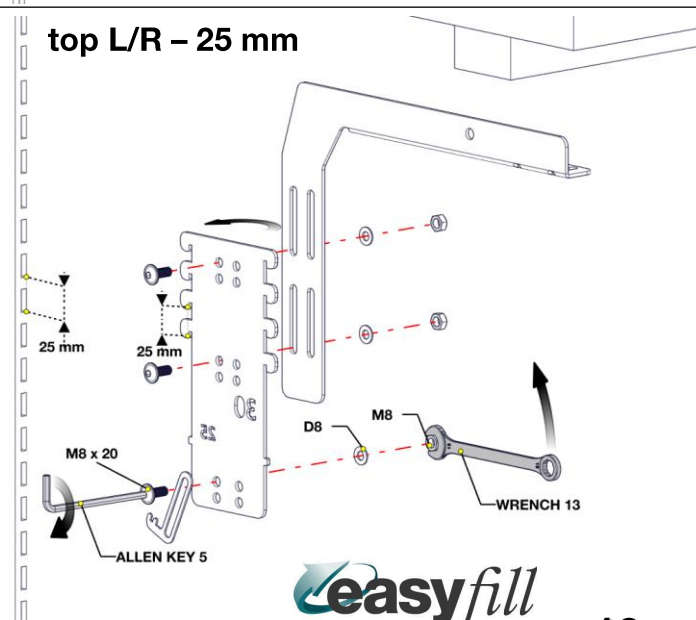
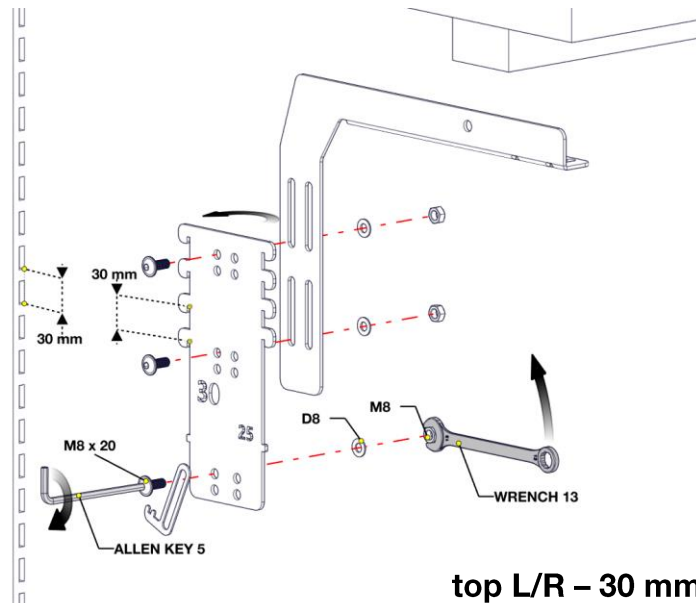
Art.No. 0193-50000-0



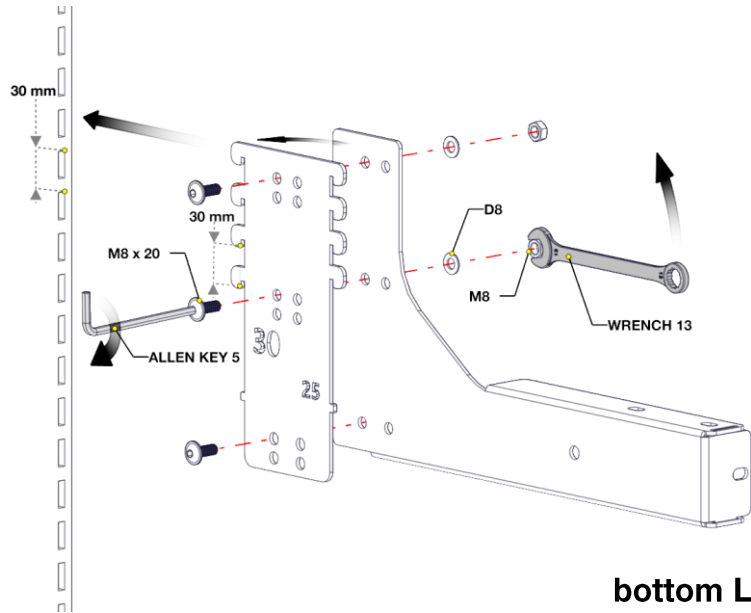
Art.No. 0193-50000-0



 M8 x 20 ISO 7380-2 12 x	 M8 DIN 934 12 x	 0193-53000-0 1x
 D8 DIN 125 12 x	 0127-30010-0 2 x	 0193-52001-0 1x
 0193-51001-0 1x	 0193-51001-1 1x	 0193-52001-1 1x
		 0193-51002-0 4x

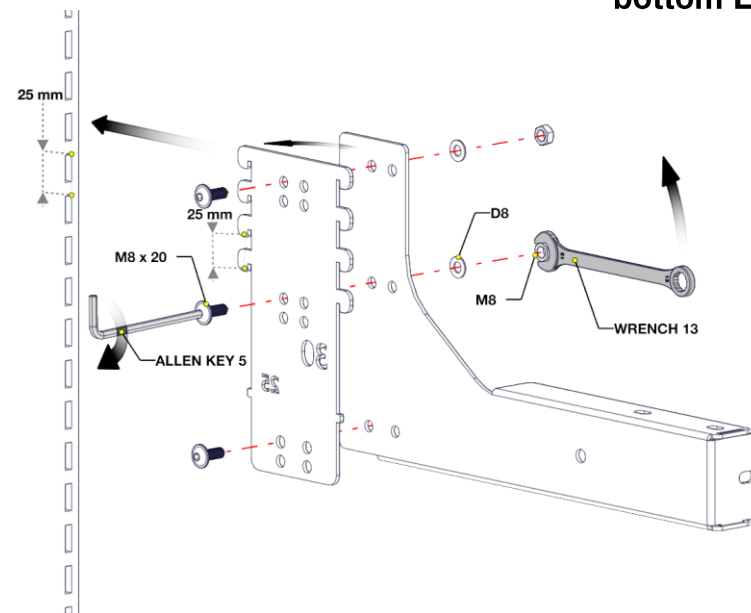


Art.No. 0193-50000-0

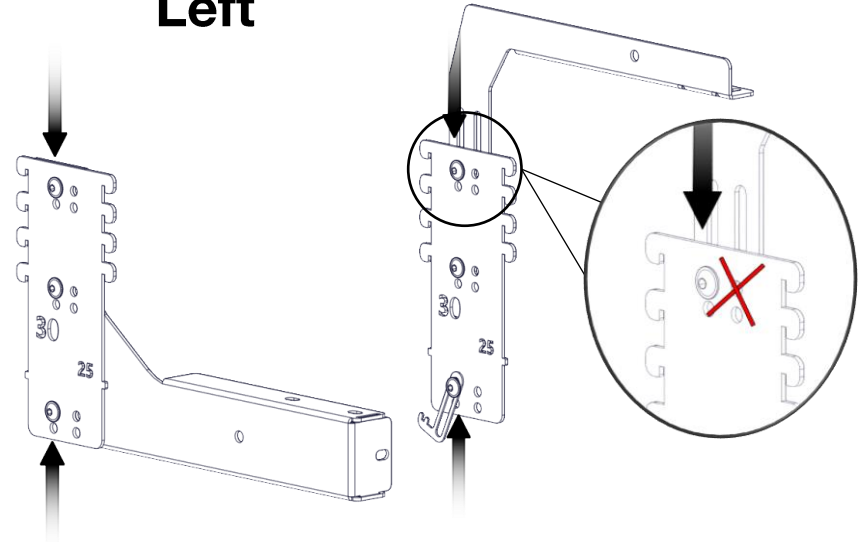


bottom L/R – 30 mm

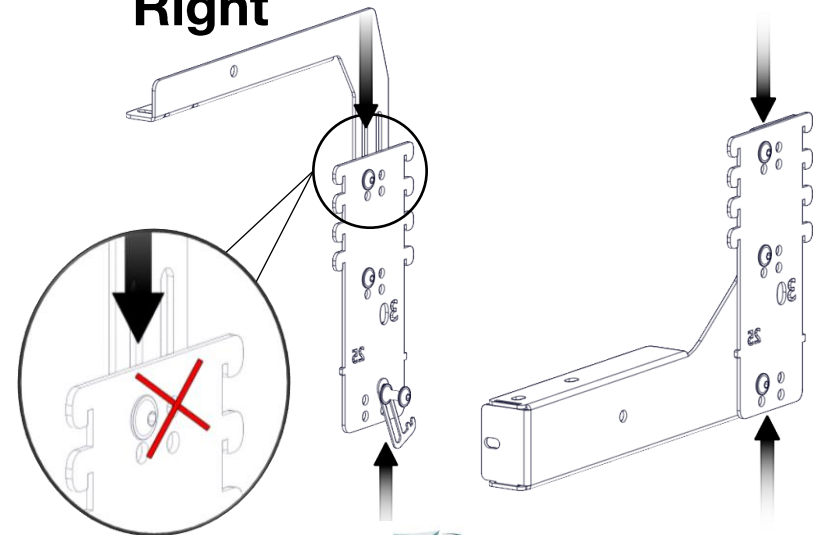
bottom L/R – 25 mm



Left

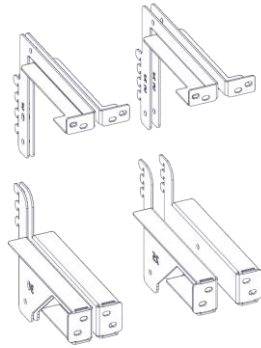
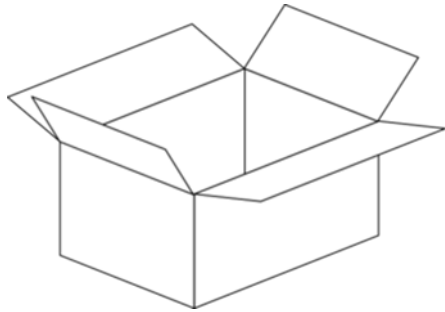







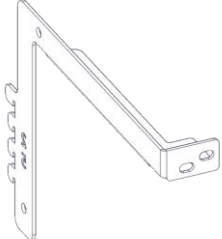
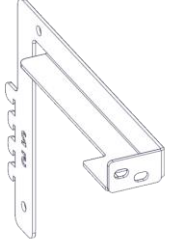
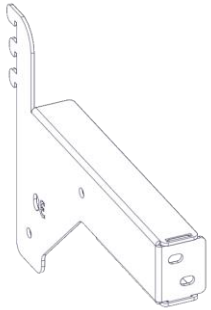
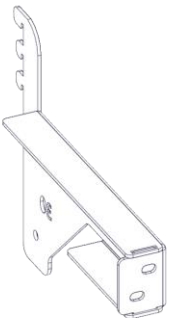
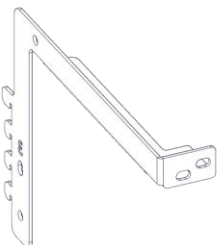
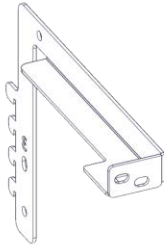
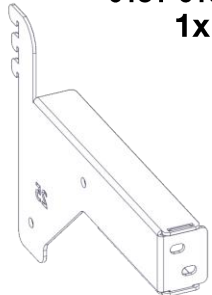
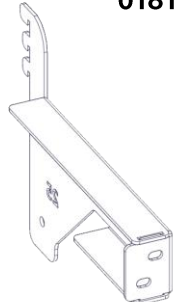
Right



Installation of middle brackets

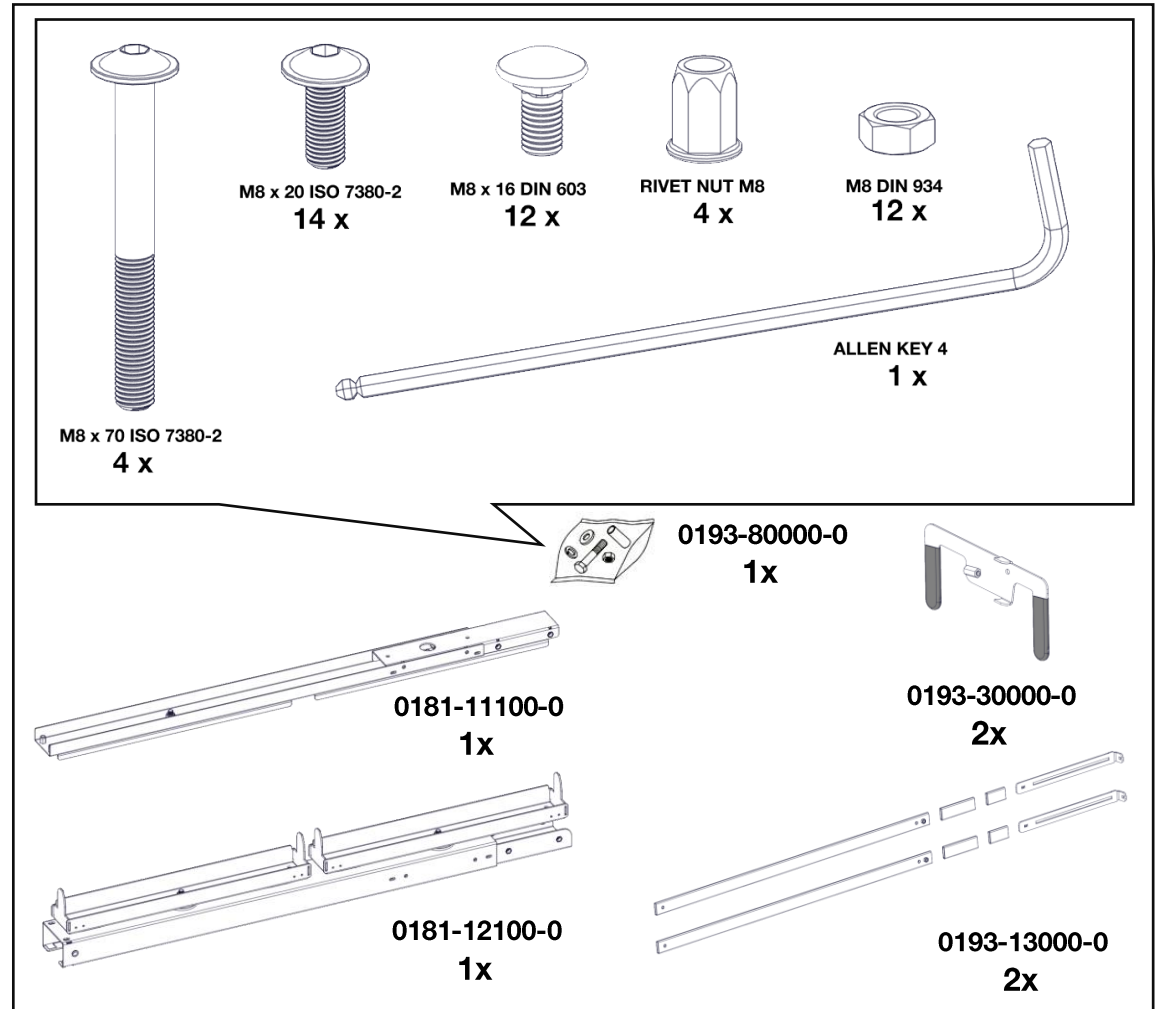
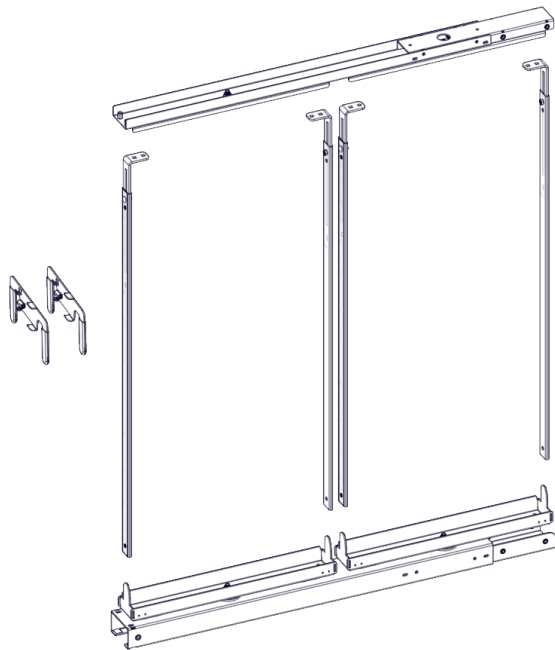
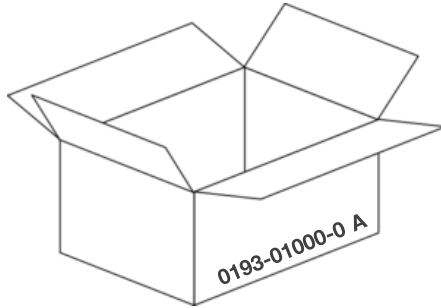
Art.No. 0181-70000-0



 <p>M8 x 25 ISO 7380-2 4 x</p>	 <p>M8 x 20 ISO 7380-2 8 x</p>	 <p>M8 DIN 934 4 x</p>	 <p>M8 DIN 125 4 x</p>	 <p>0181-71000-0 1x</p>	 <p>0181-61005-0 1x</p>	 <p>0181-61005-1 1x</p>
 <p>0181-71001-0 1x</p>	 <p>0181-71001-1 1x</p>	 <p>0181-71002-0 1x</p>	 <p>0181-71002-1 1x</p>	 <p>0181-61004-0 1x</p>	 <p>0181-61004-1 1x</p>	

Installation of frame set Art.No. 0181-01000-0

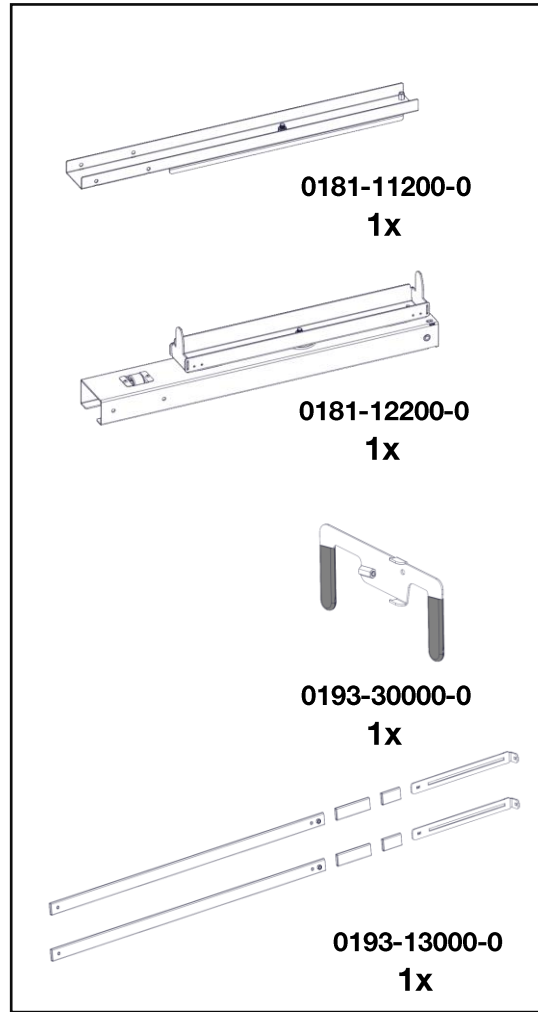
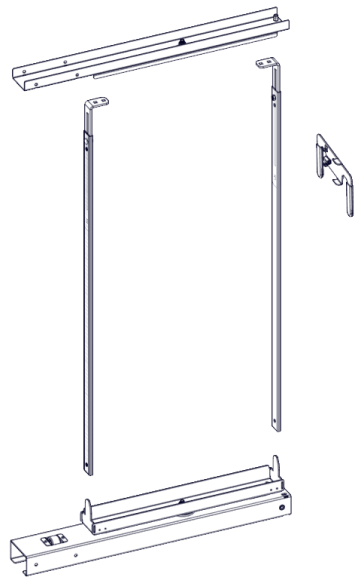
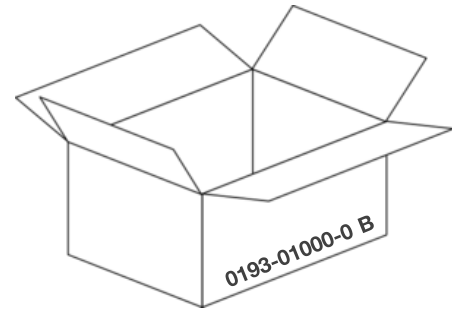
0181-01000-0 A + 0181-01000-0 B



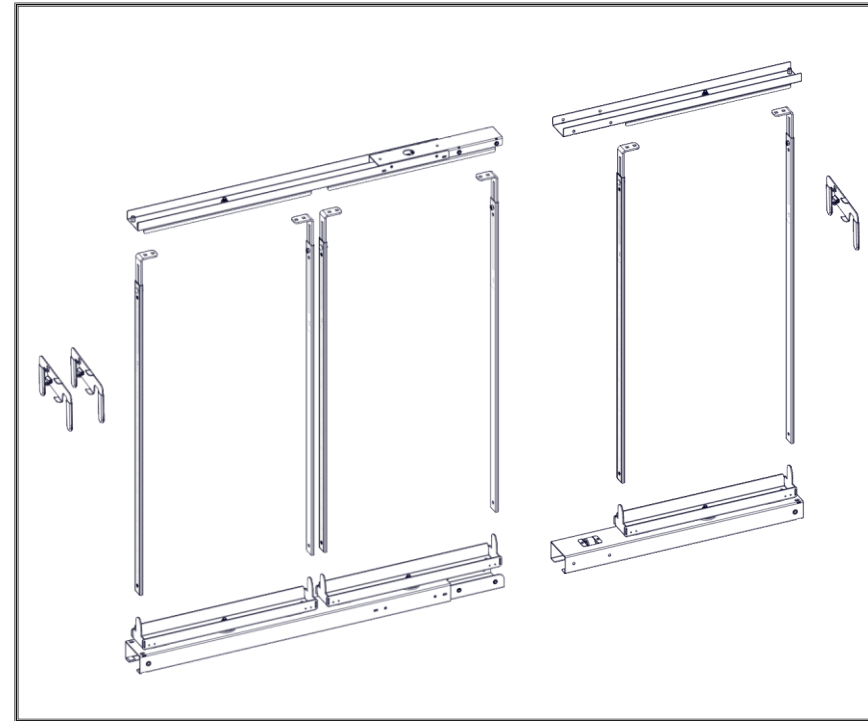
0181-01000-0 A

Installation of frame set Art.No. 0181-01000-0

0181-01000-0 A + 0181-01000-0 B

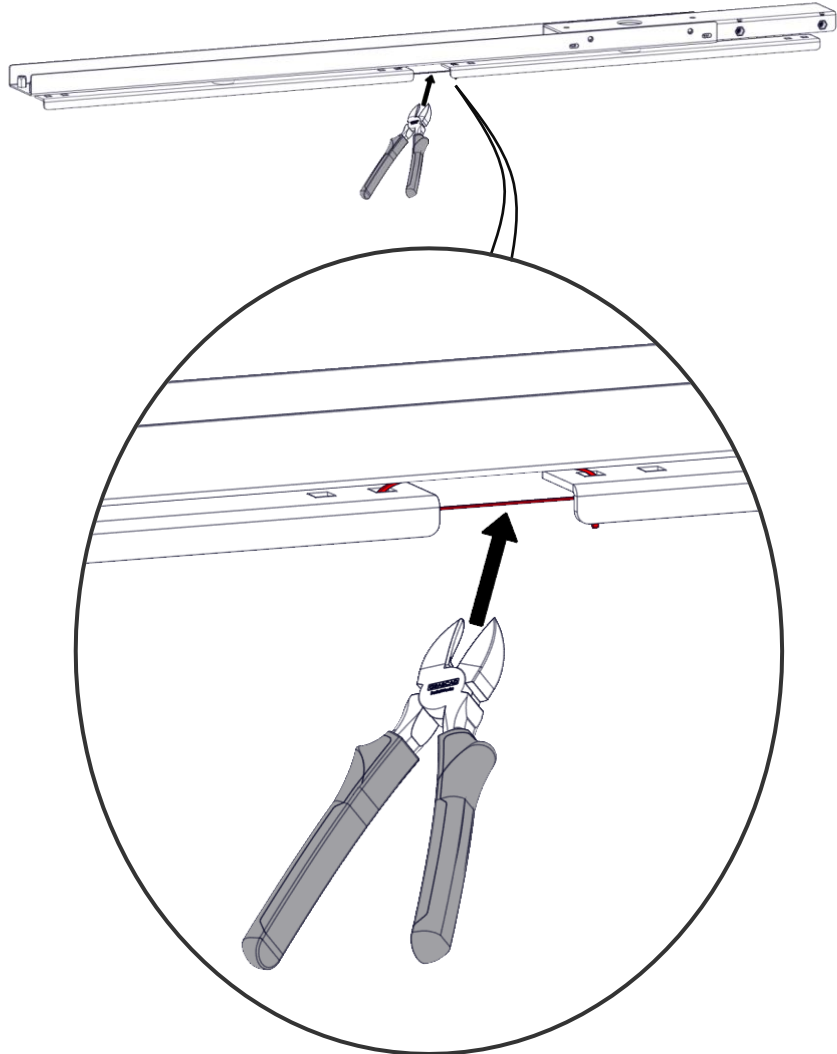


0181-01000-0 B

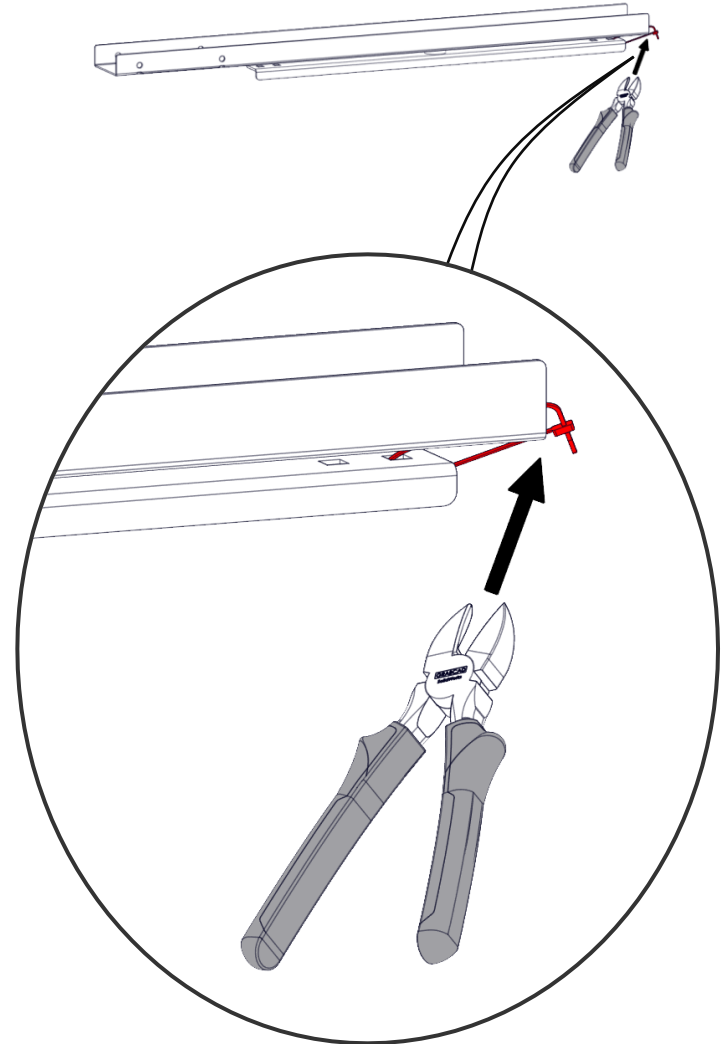


0181-01000-0

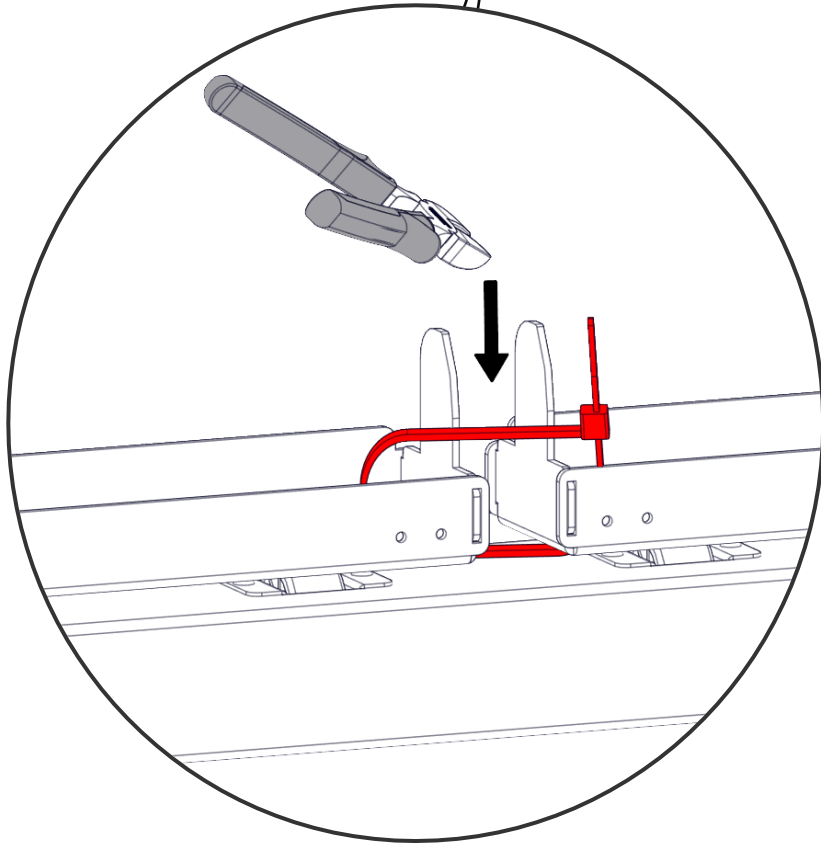
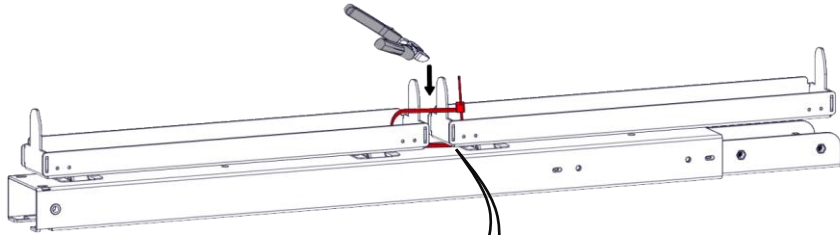
Art.No. 0181-11100-0



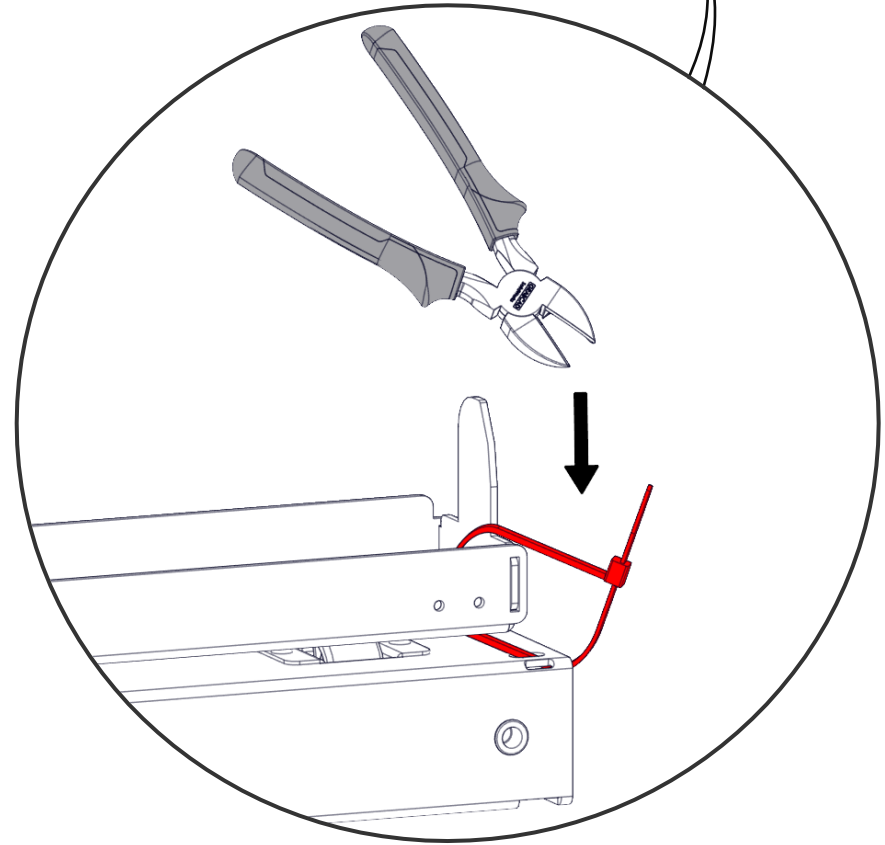
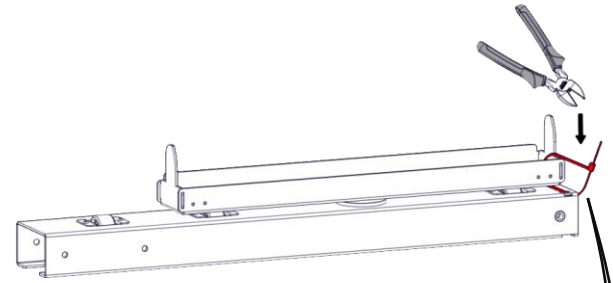
Art.No. 0181-11200-0



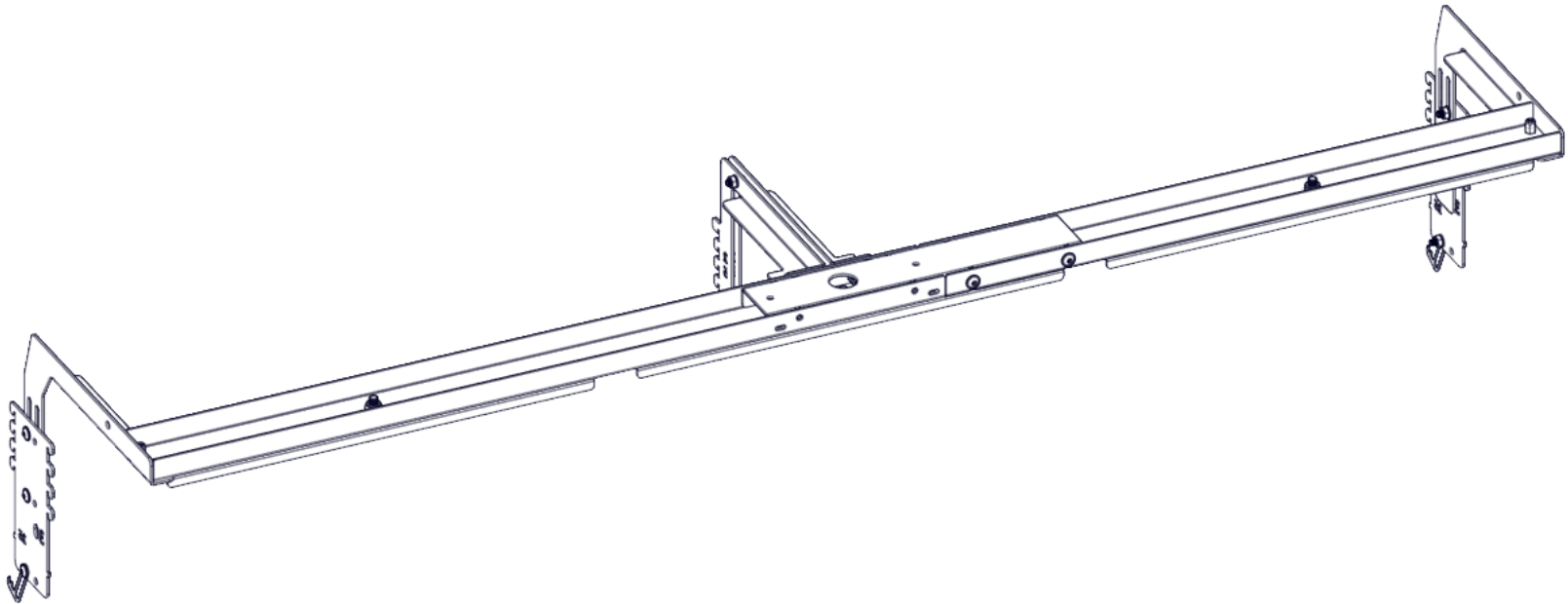
Art.No. 0181-12100-0

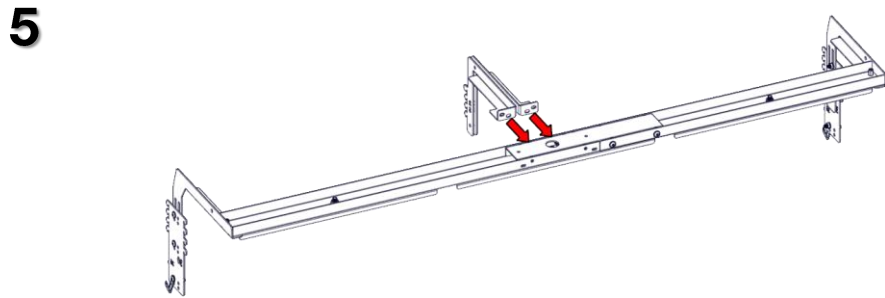
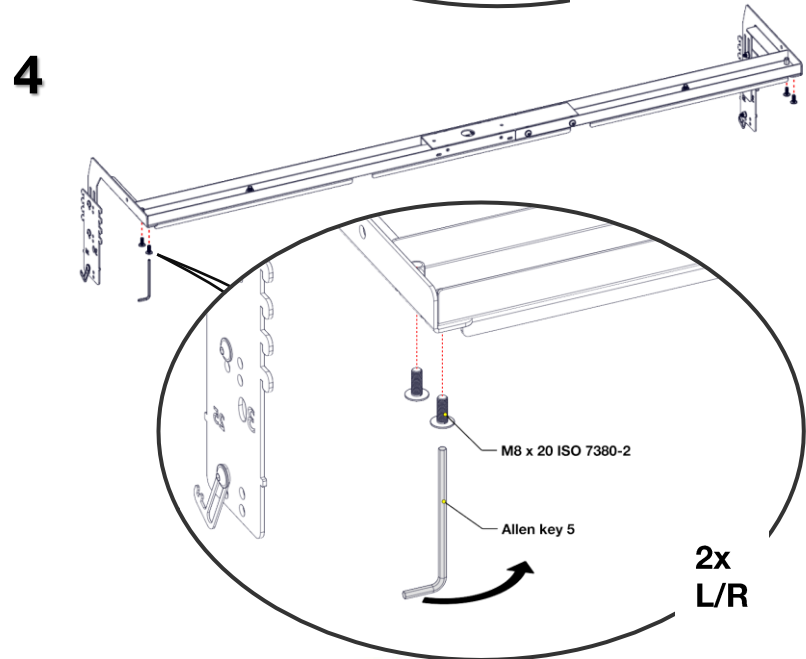
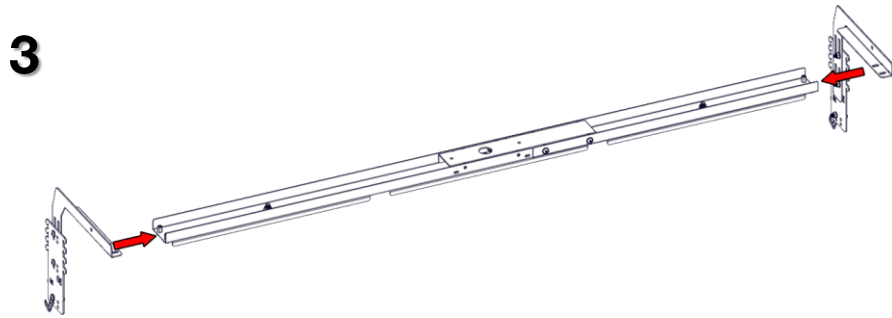
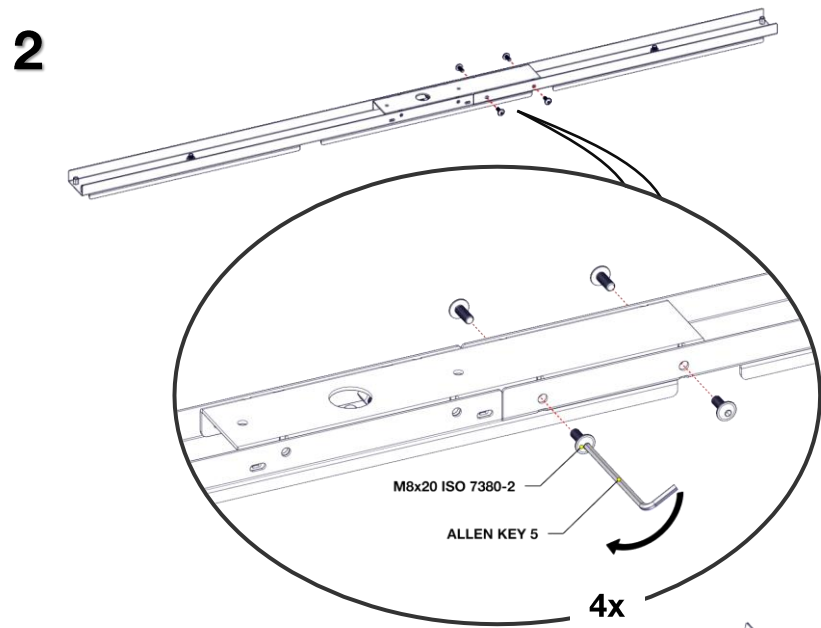
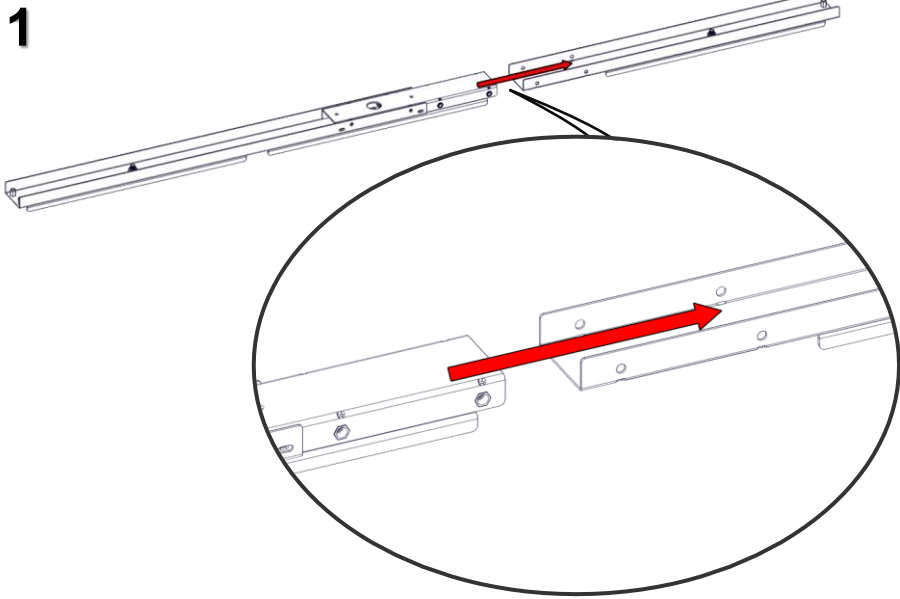


Art.No. 0181-12200-0

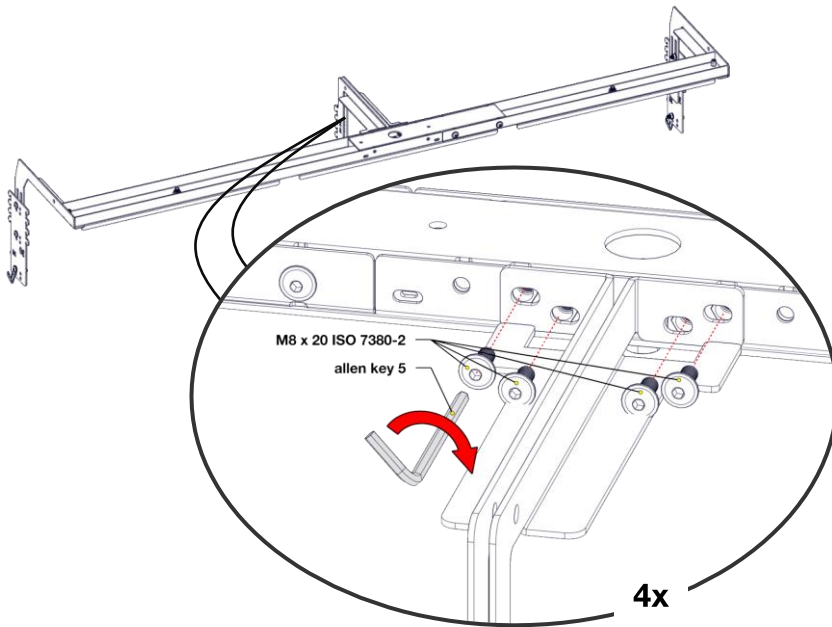


Installation of top part Art. NO 0181-11000-0 + top brackets

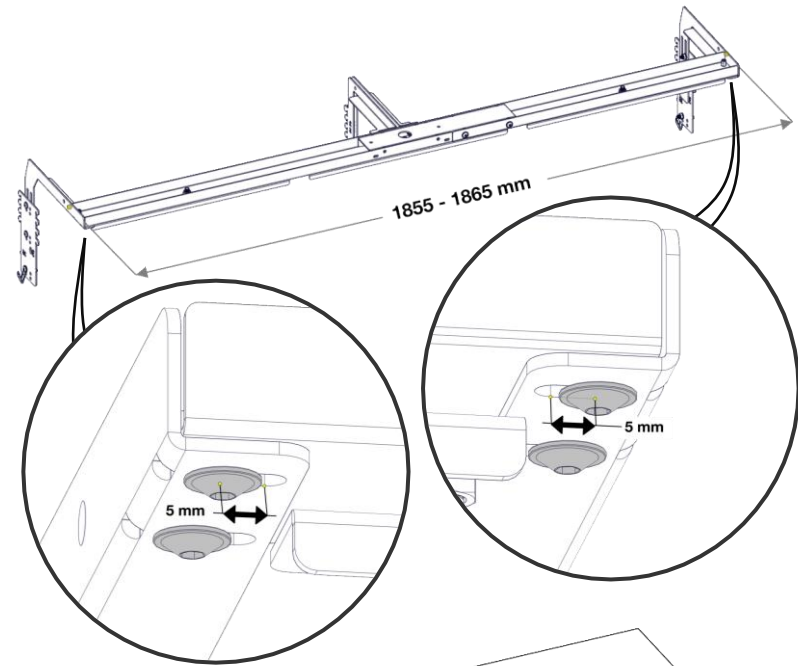




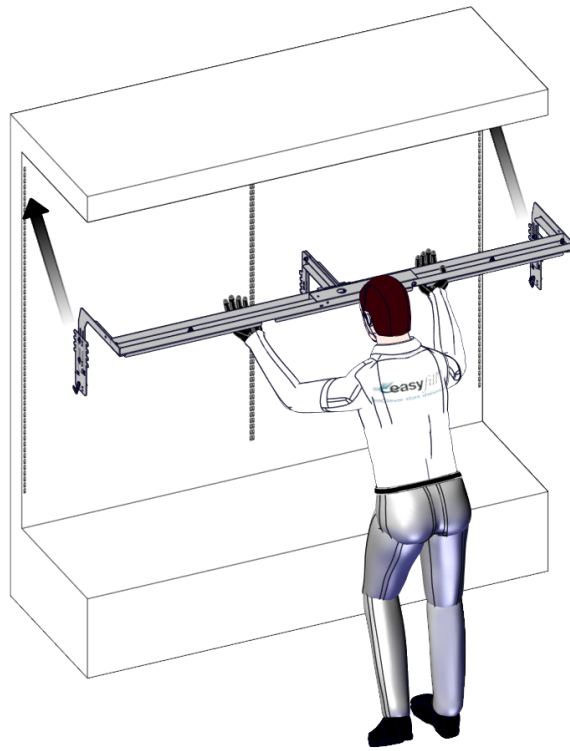
6



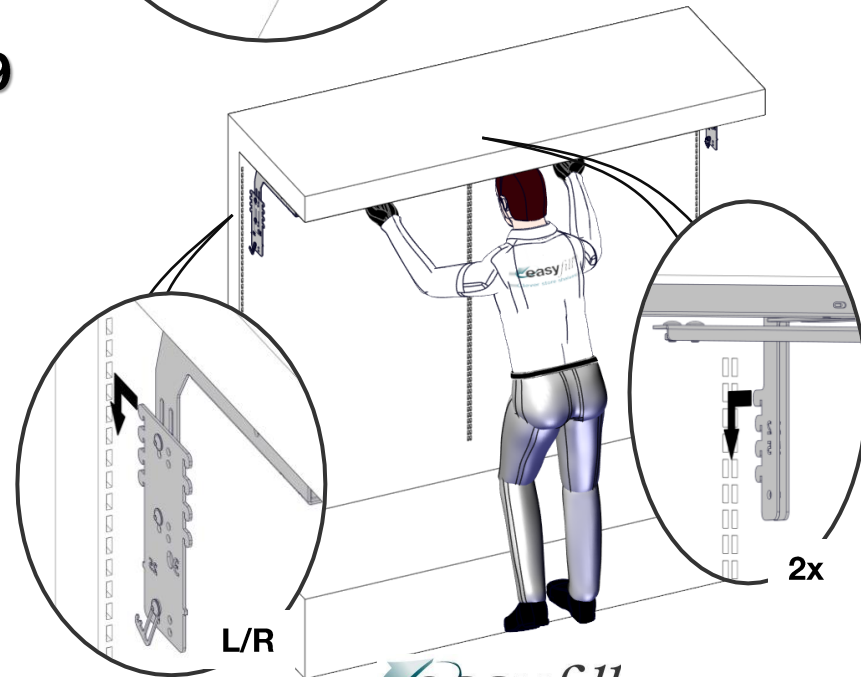
7



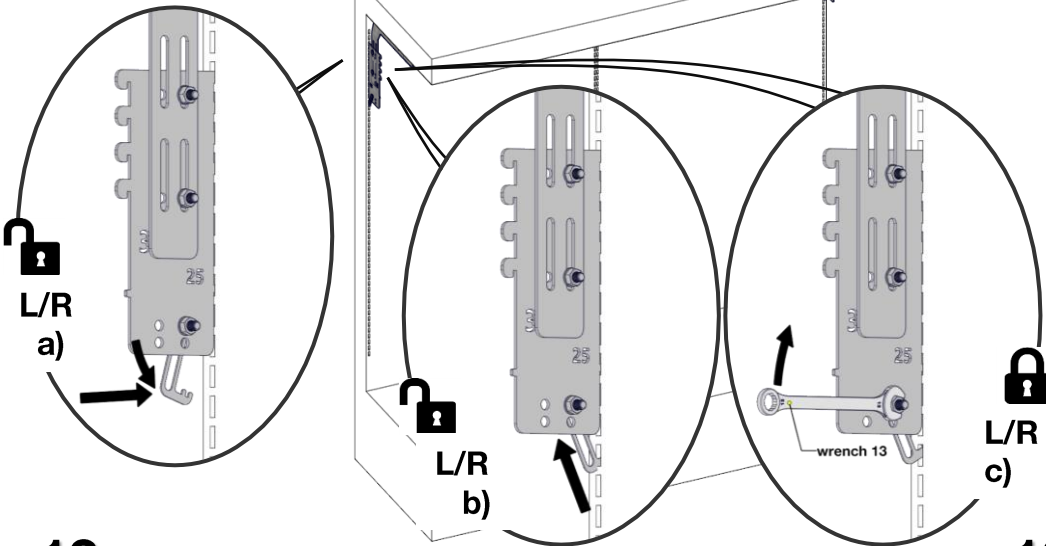
8



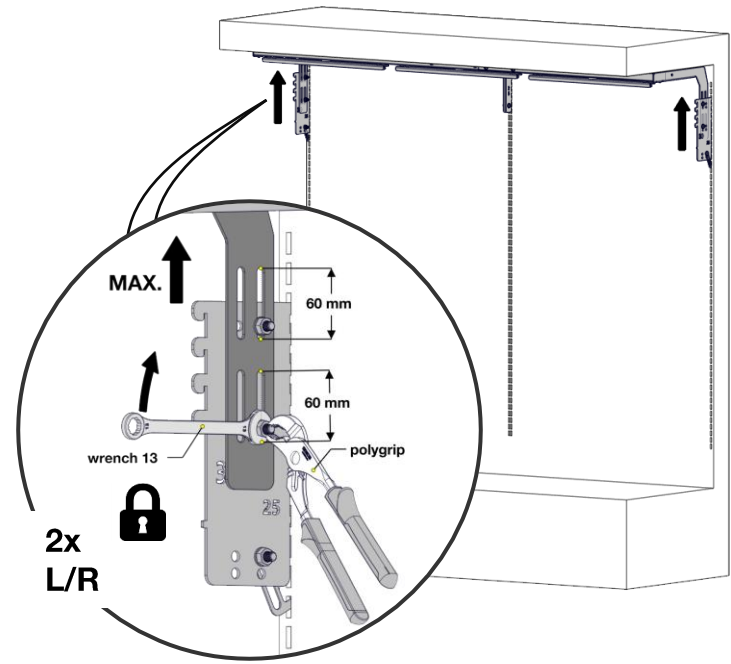
9



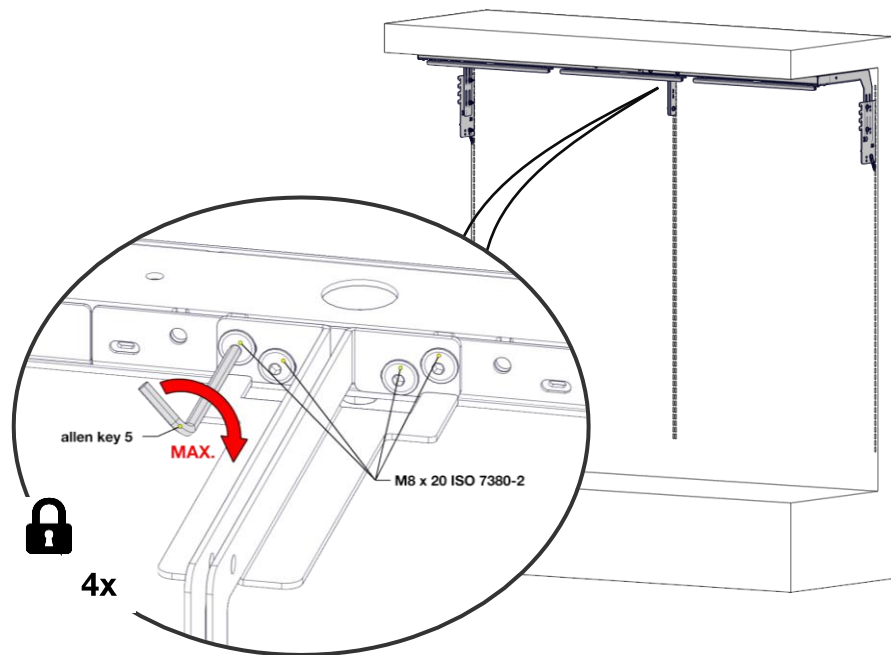
10



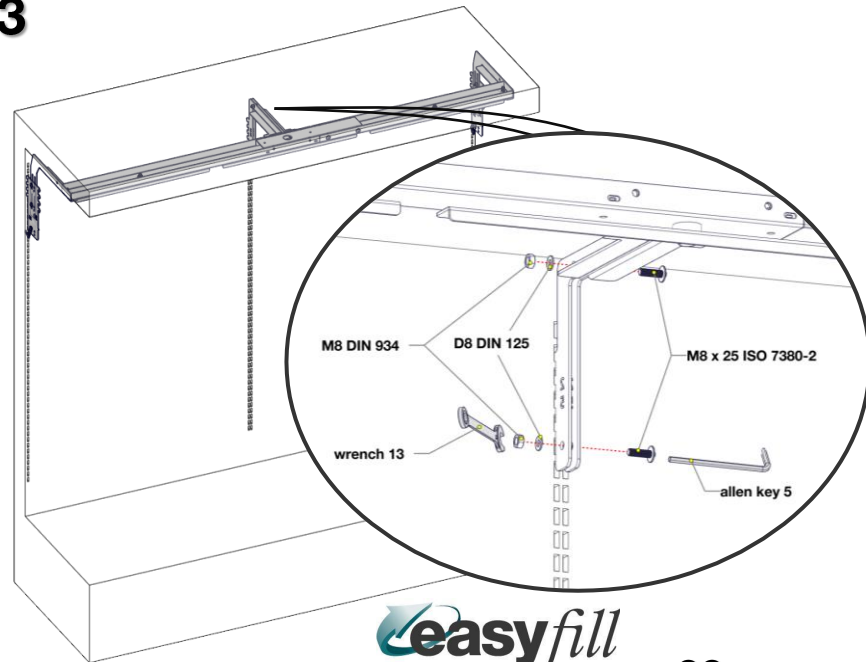
11



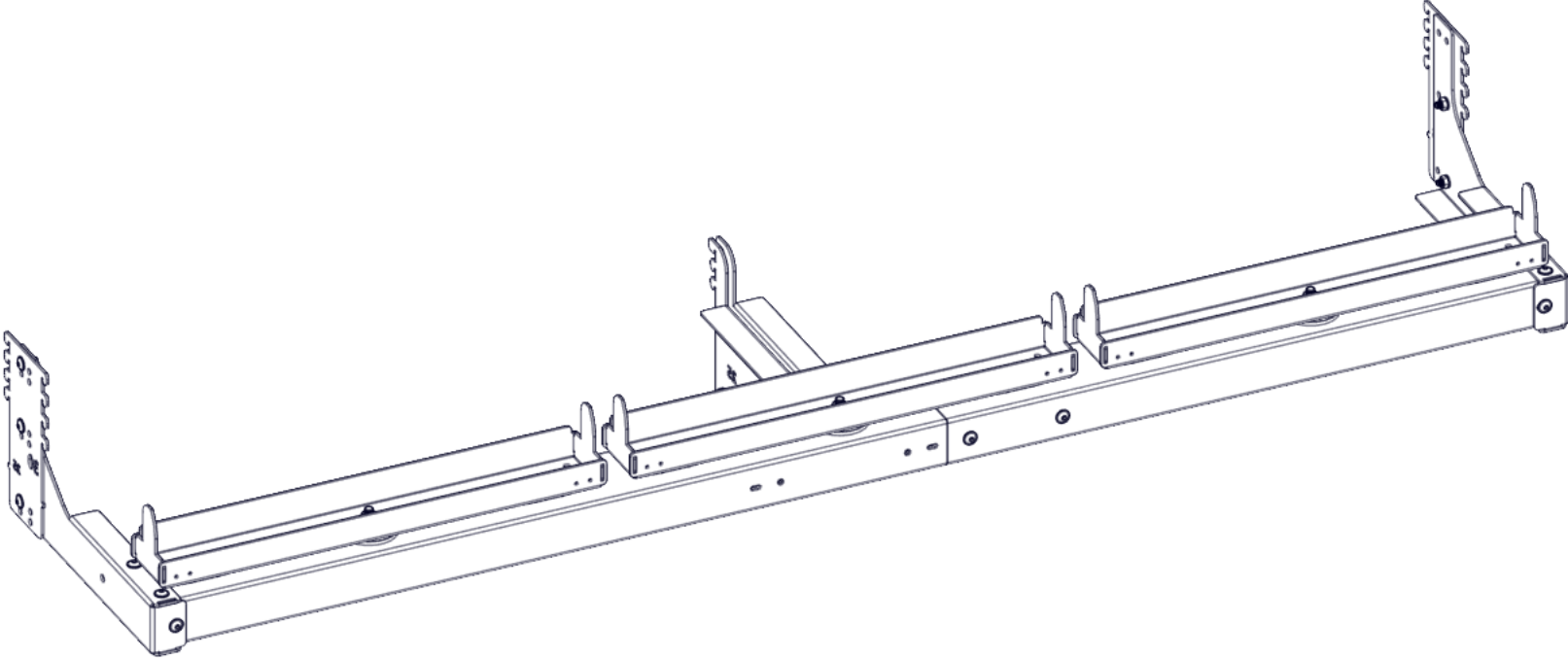
12



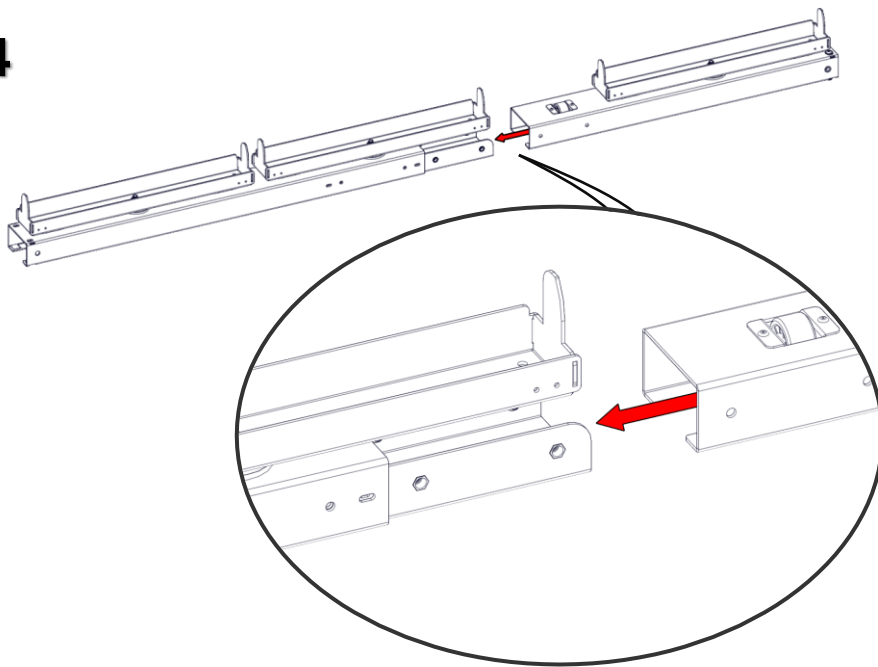
13



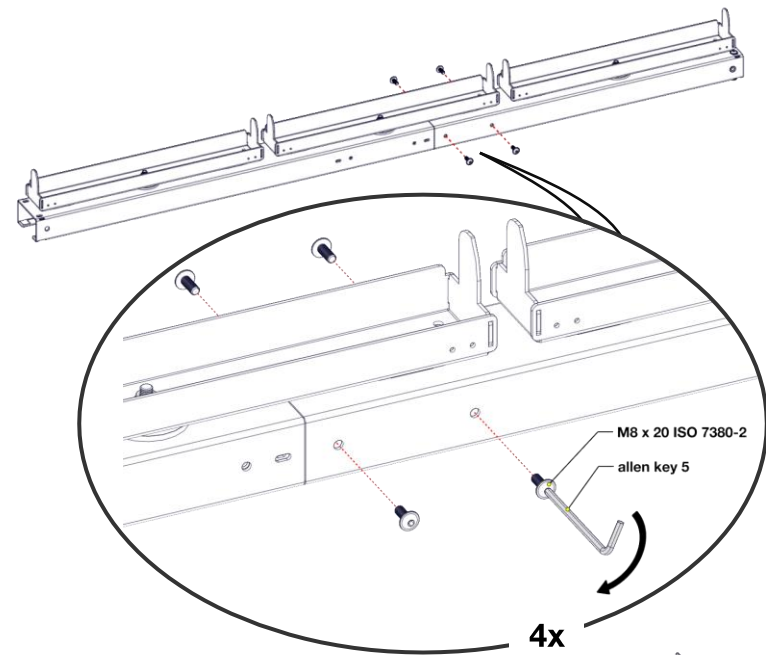
Installation of bottom part Art. NO 0181-12000-0 + bottom brackets



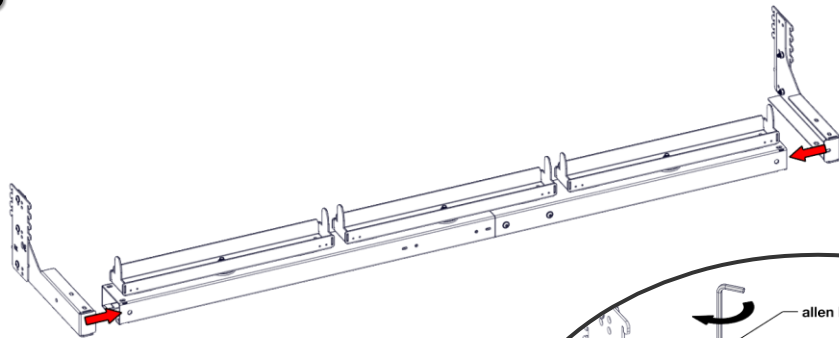
14



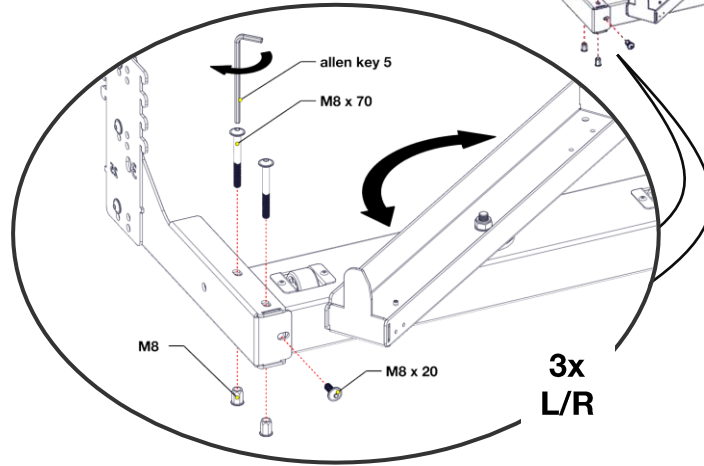
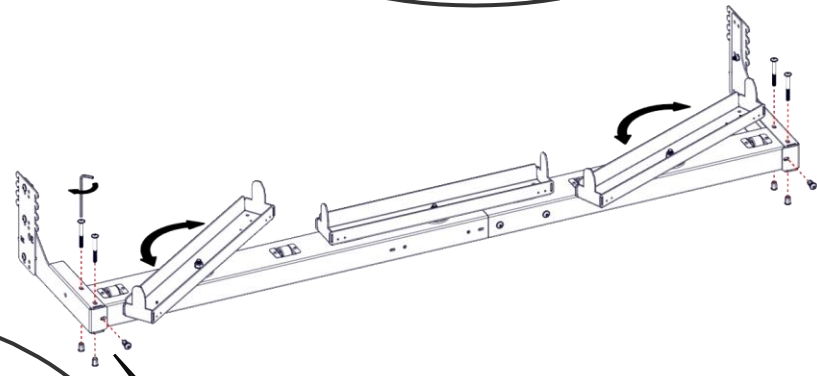
15



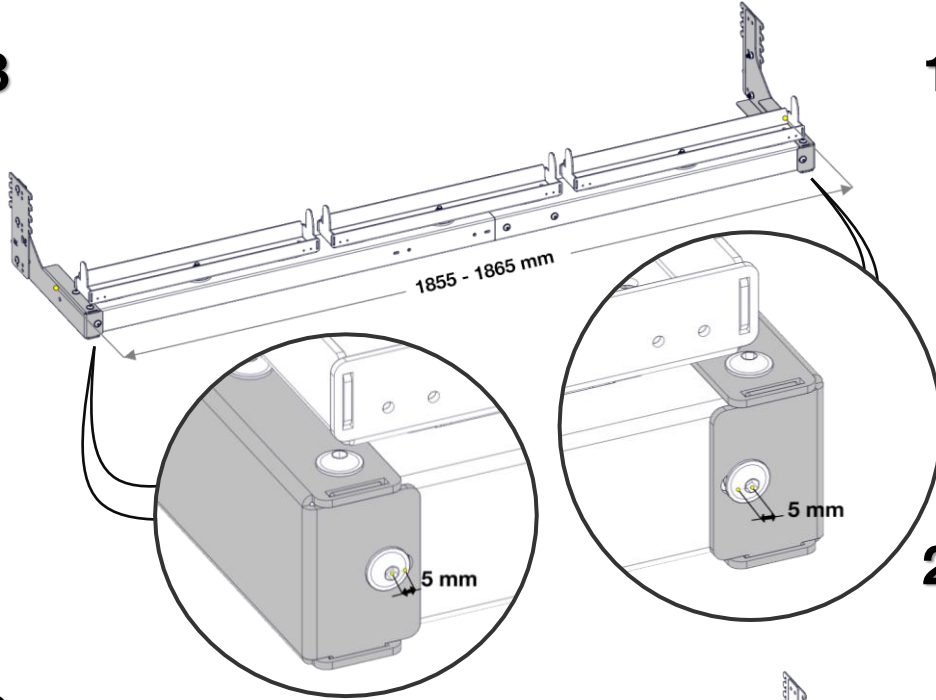
16



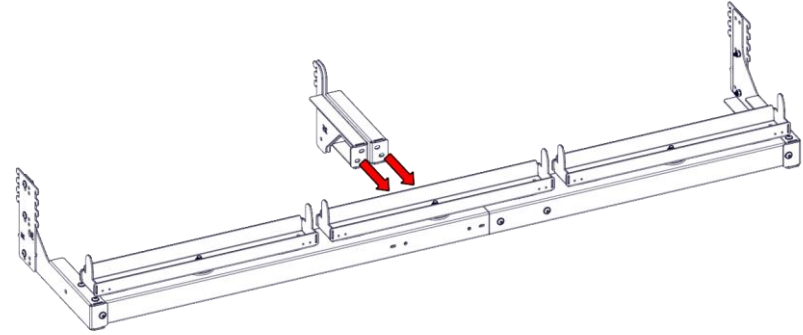
17



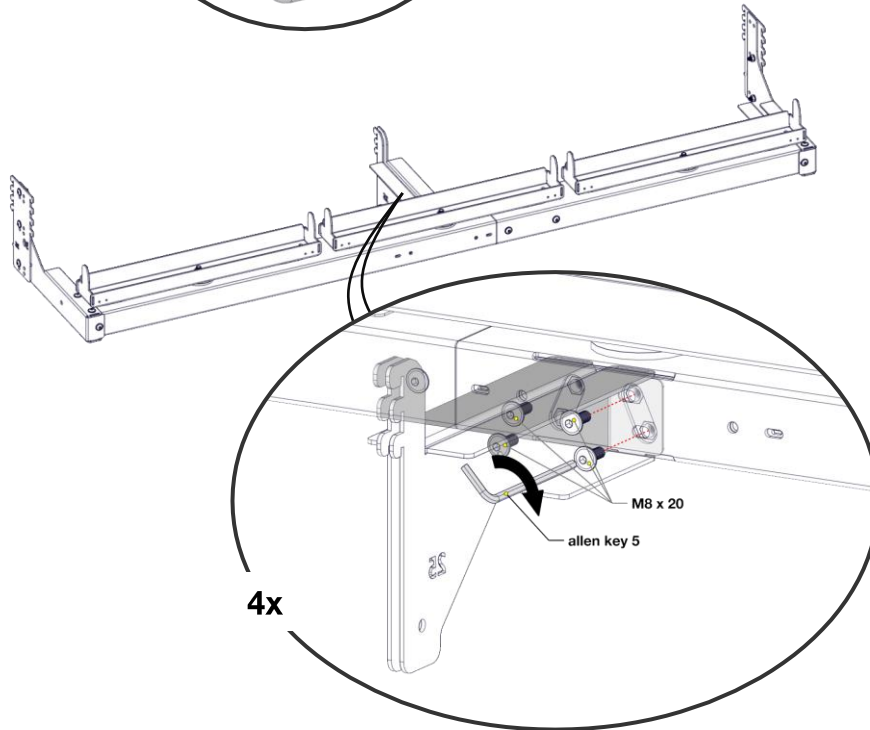
18



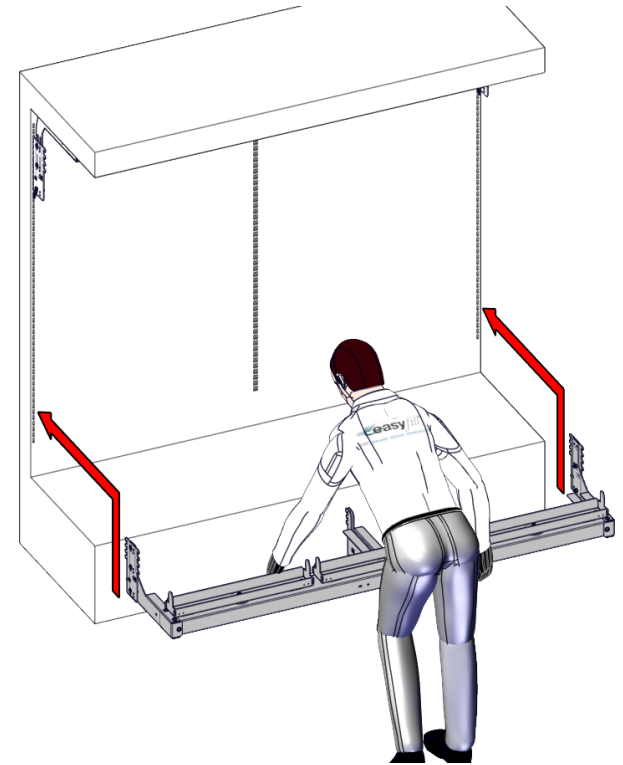
19



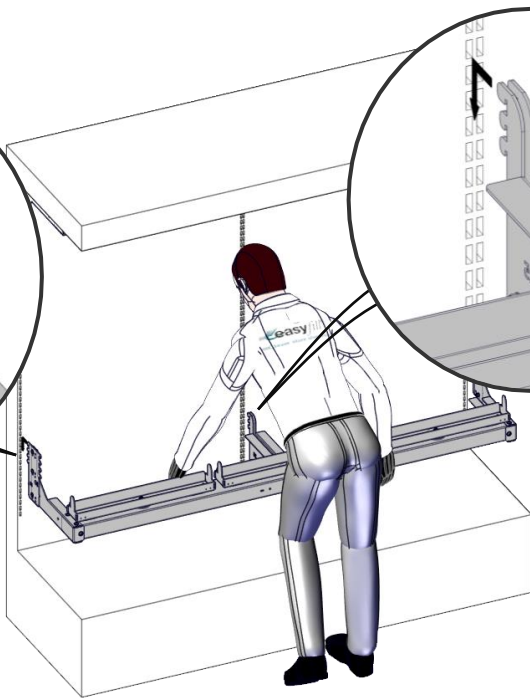
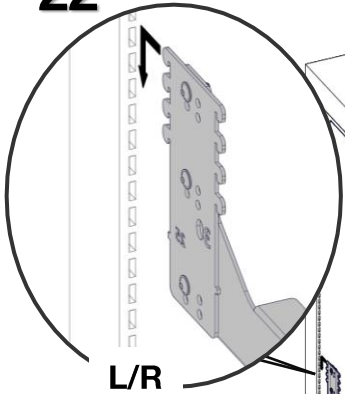
20



21

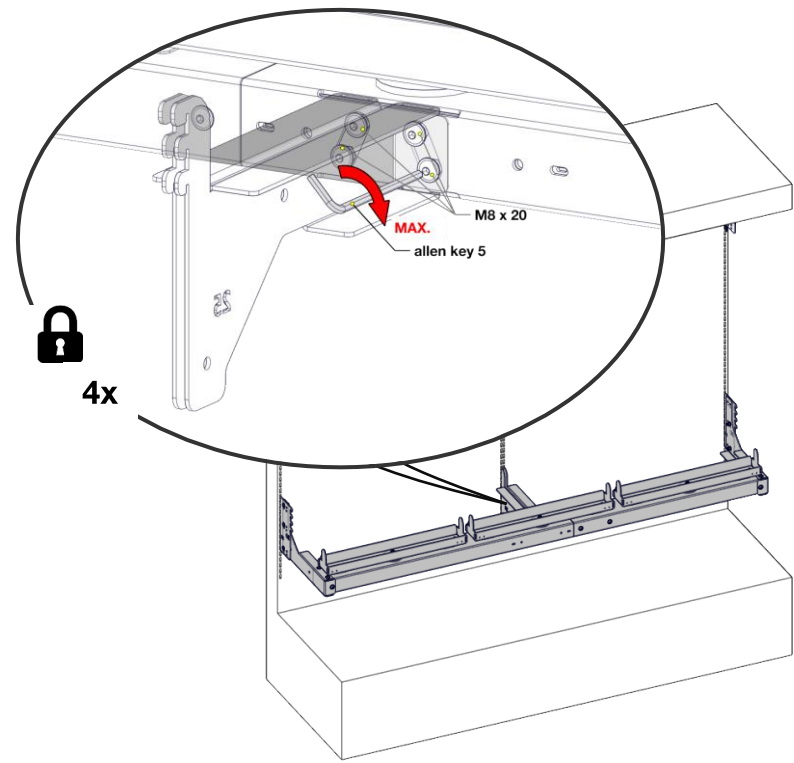
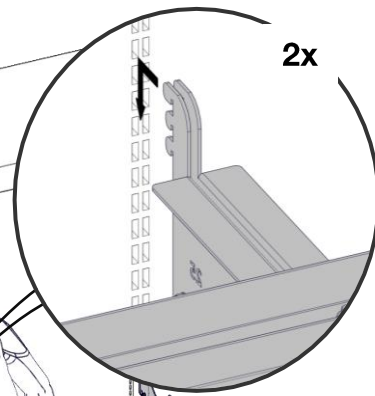


22

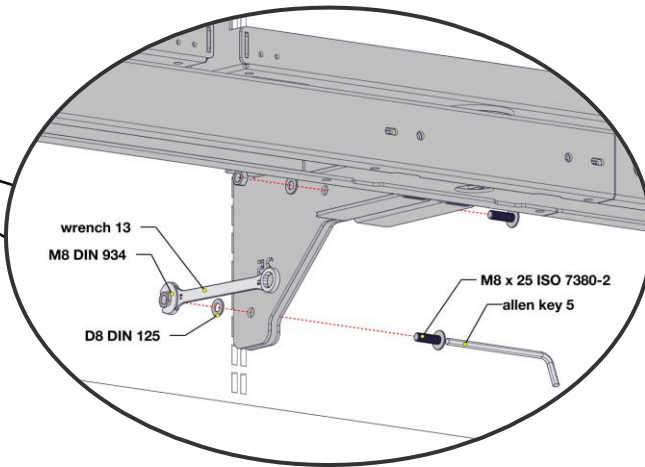
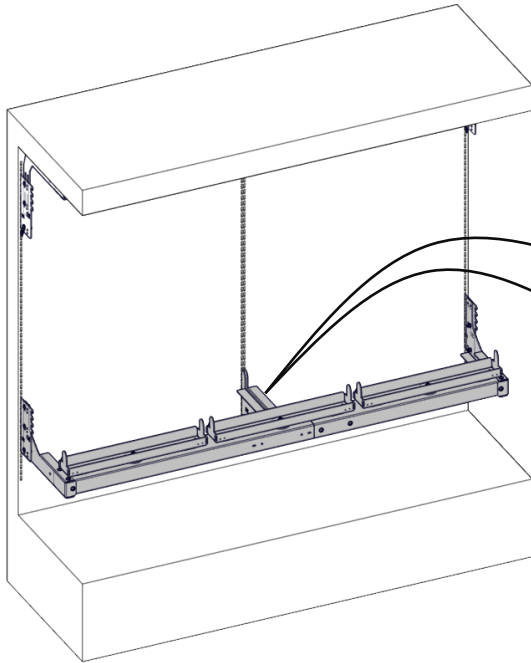


2x

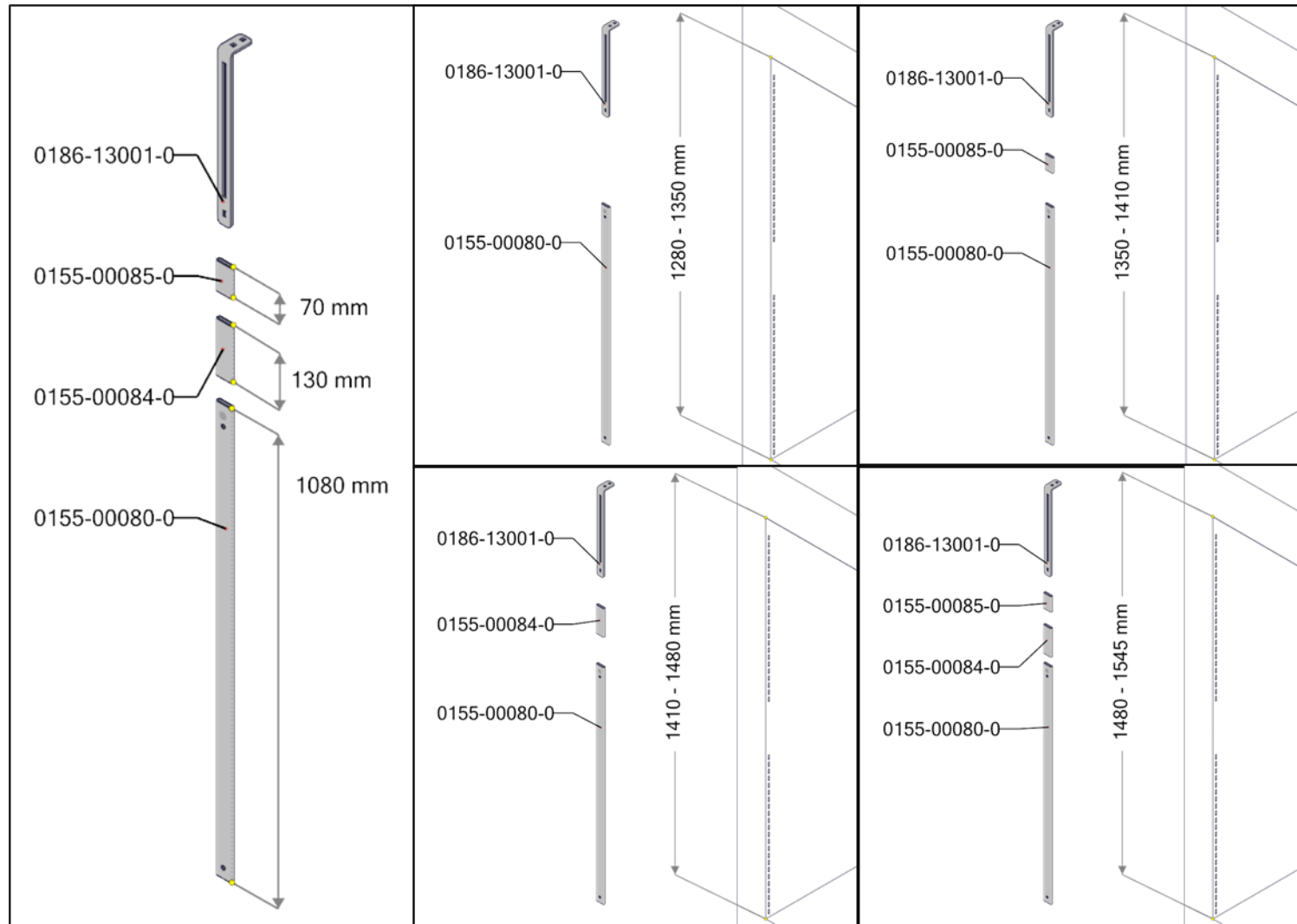
23



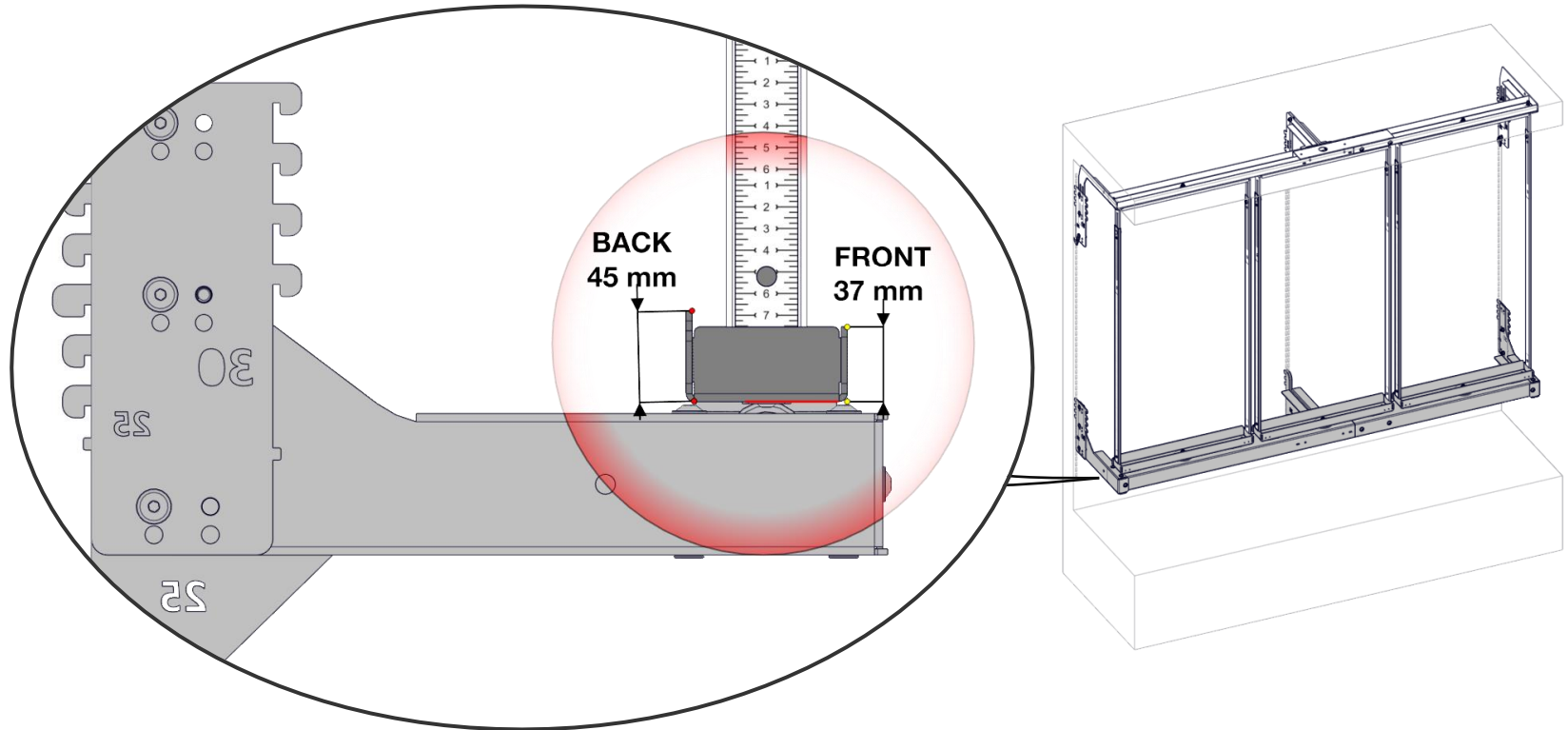
24



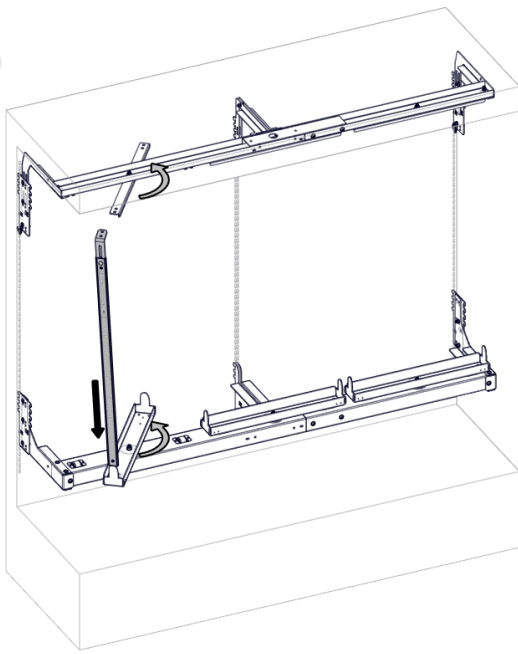
Adjustable frame – 0193-13000-0



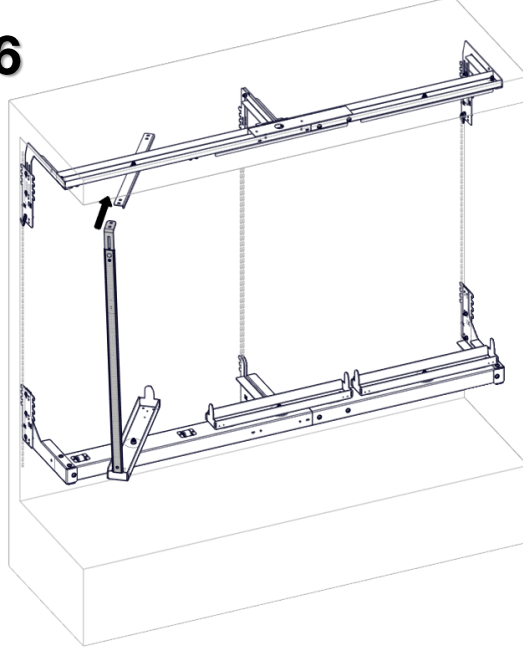
!! BASE POSITION !!



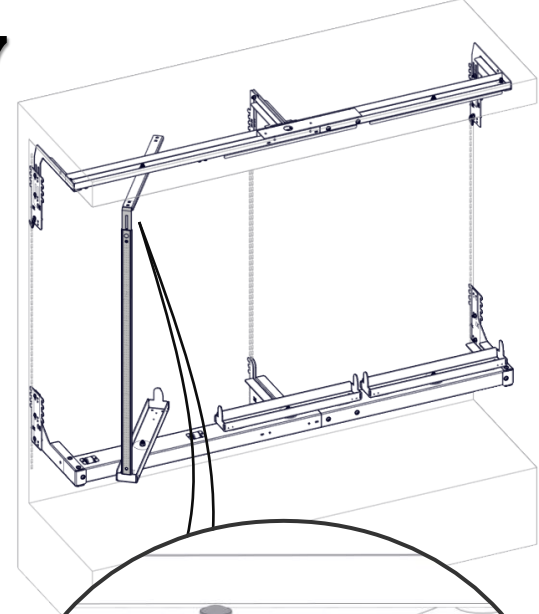
25



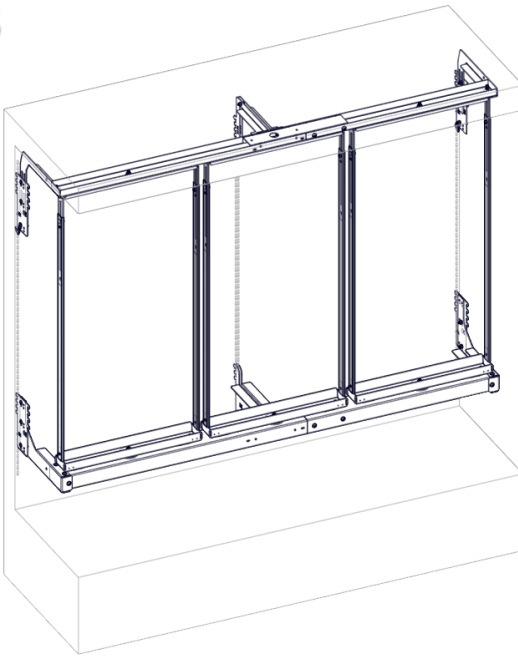
26



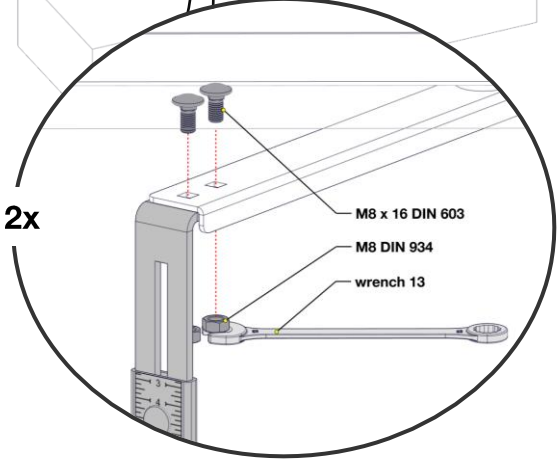
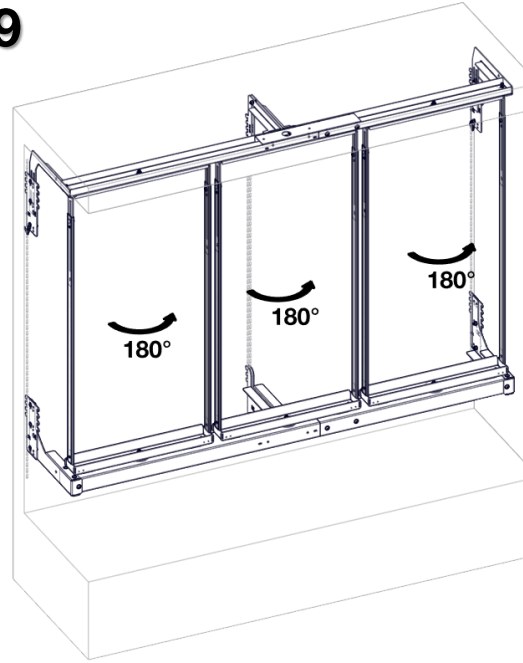
27

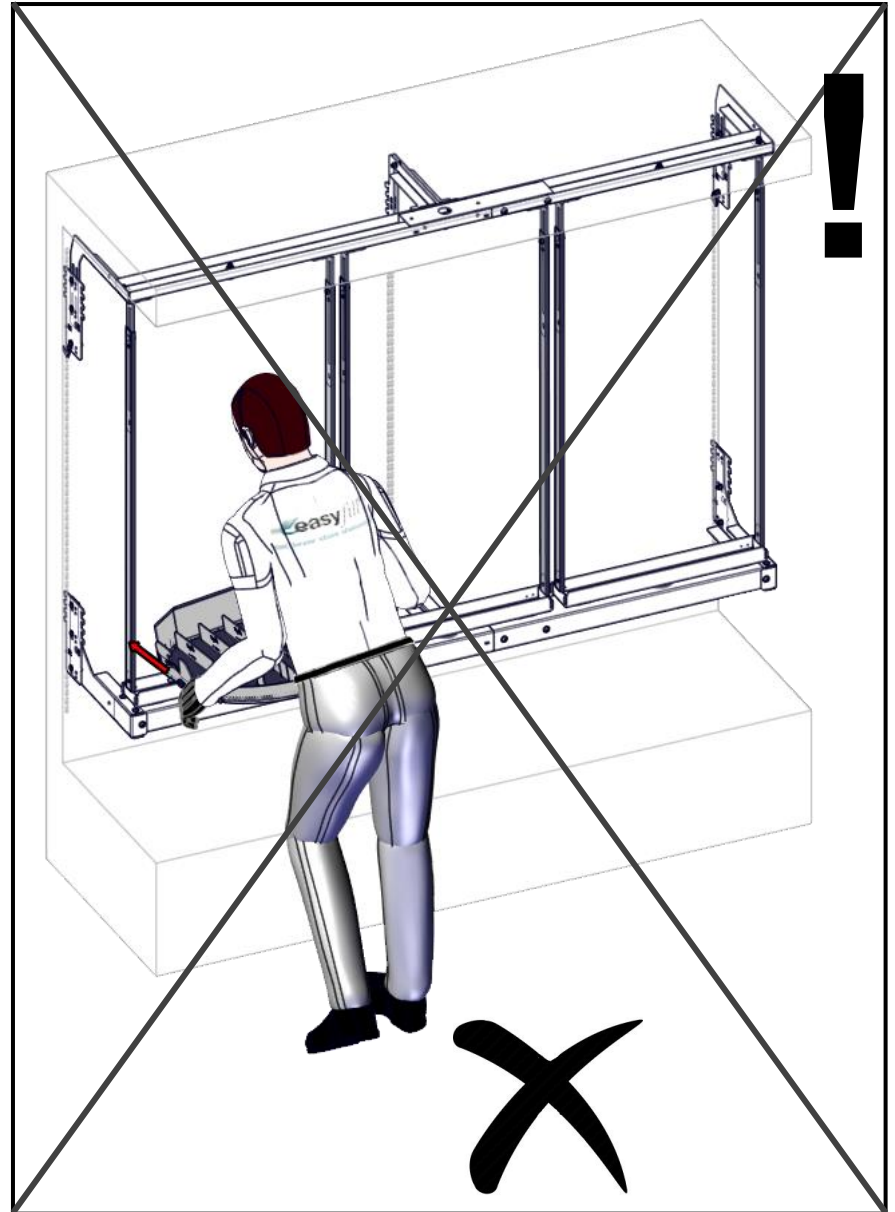
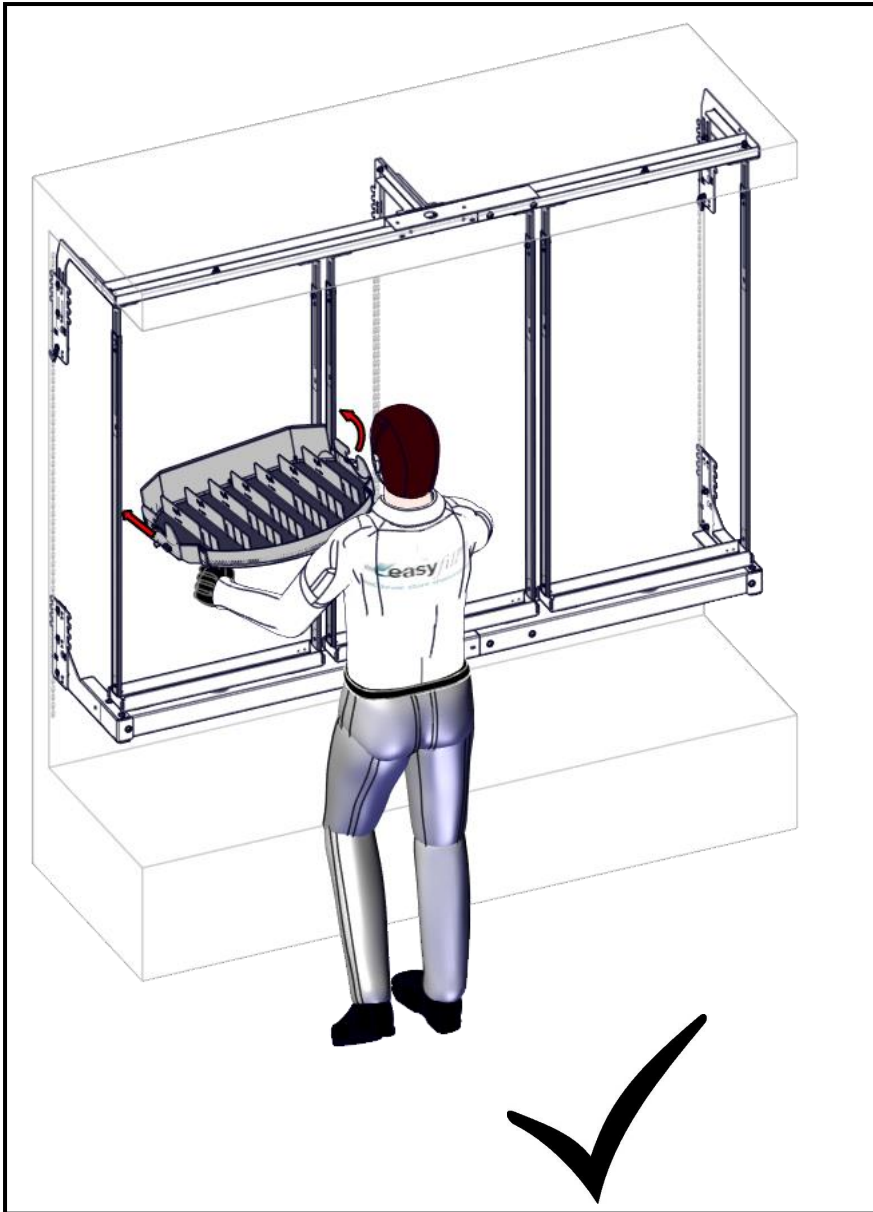


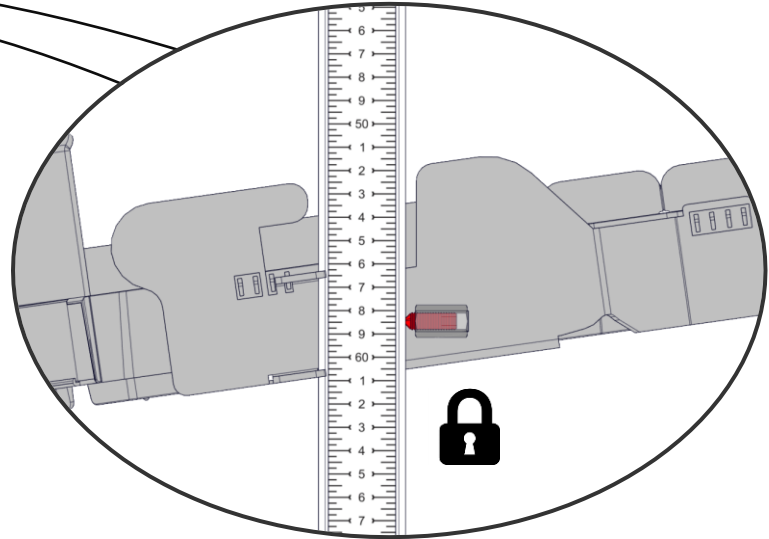
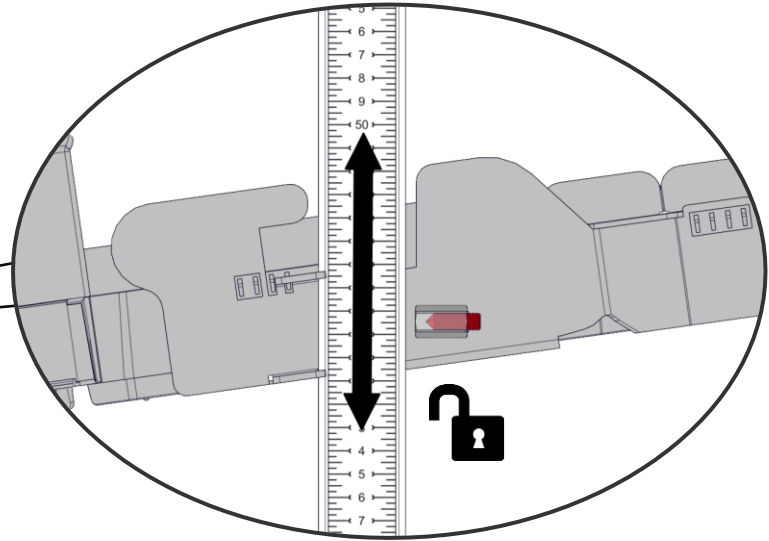
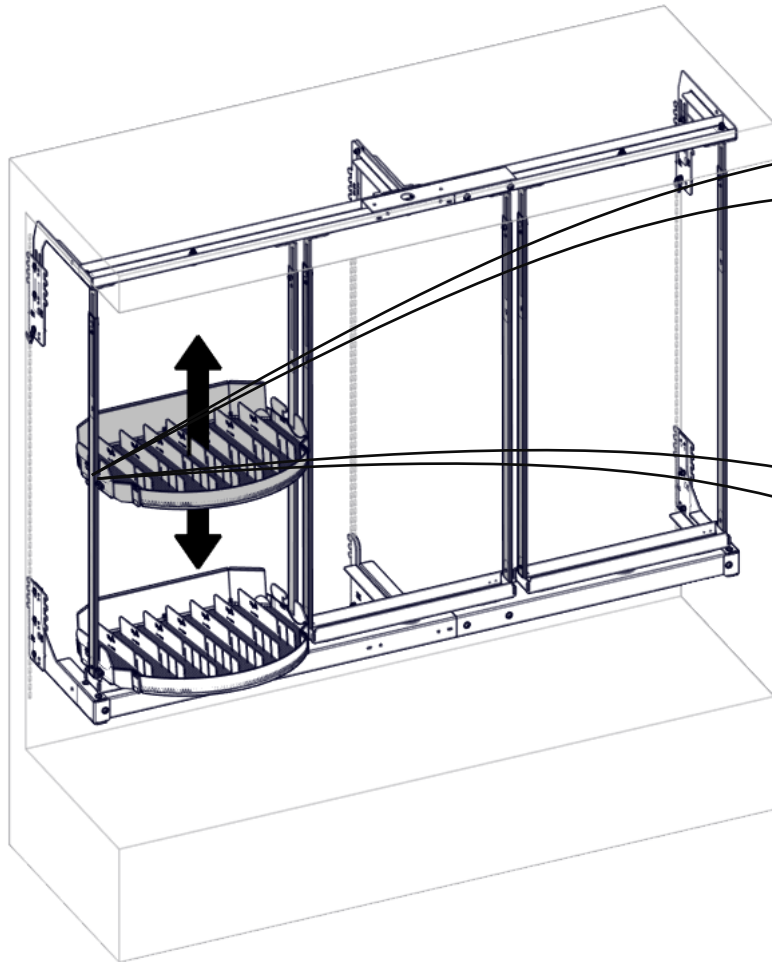
28

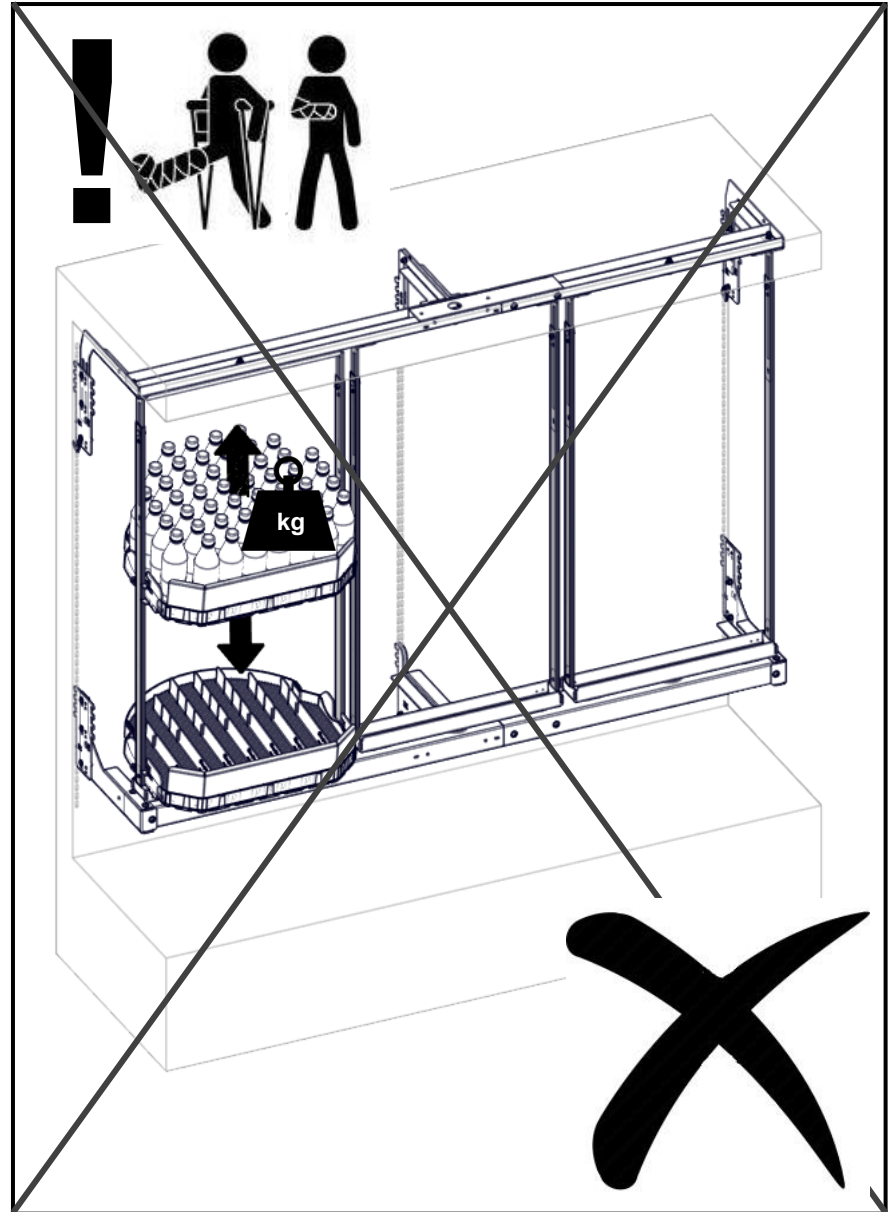
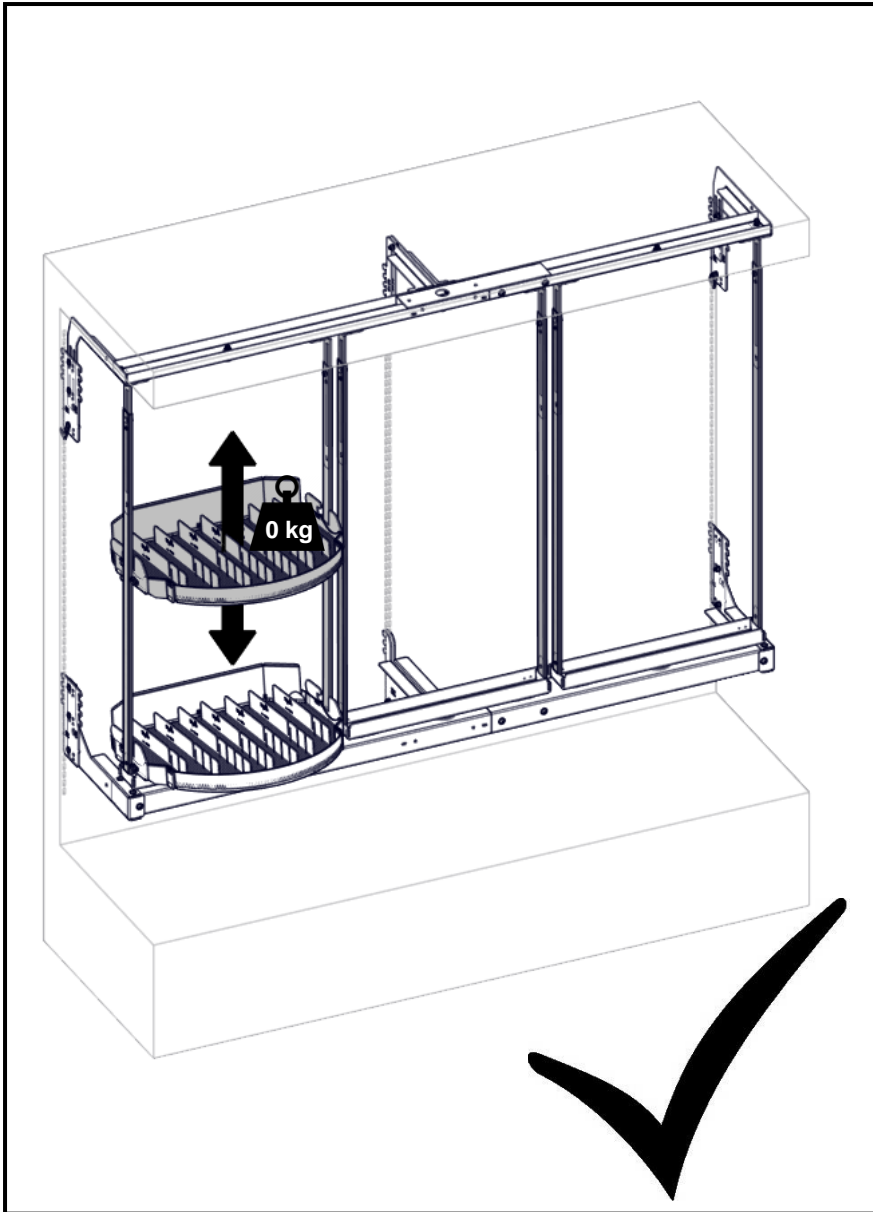


29

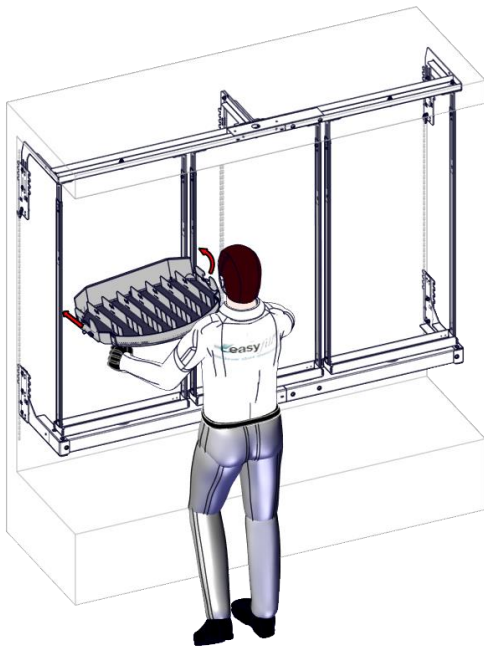




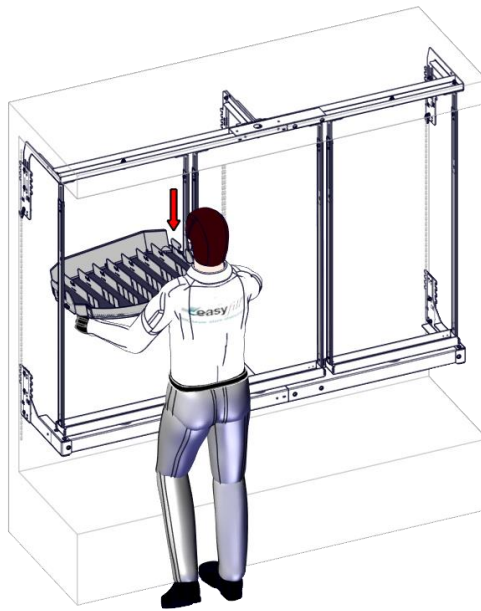




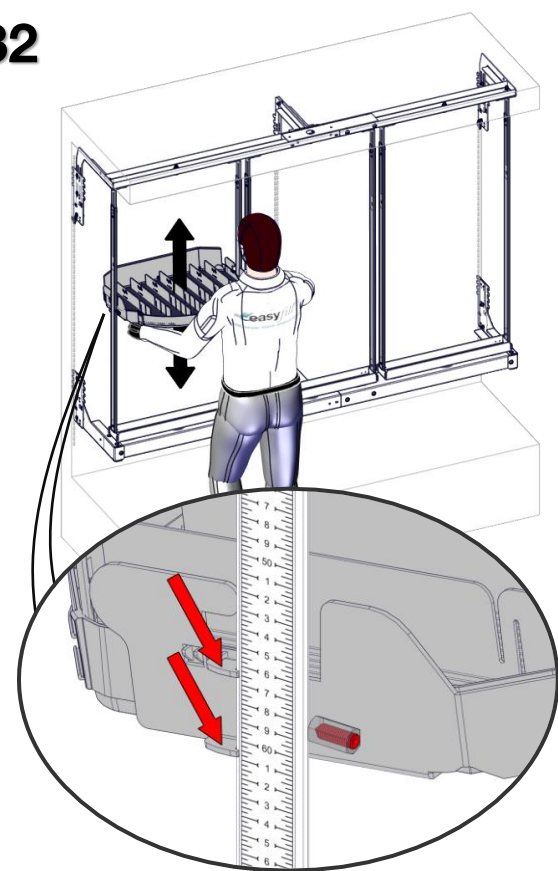
30



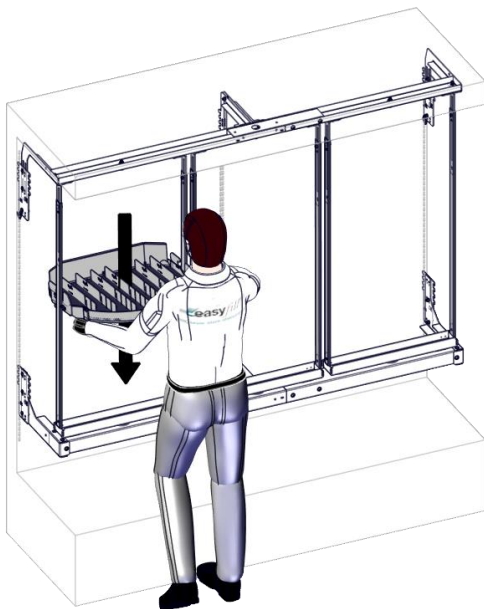
31



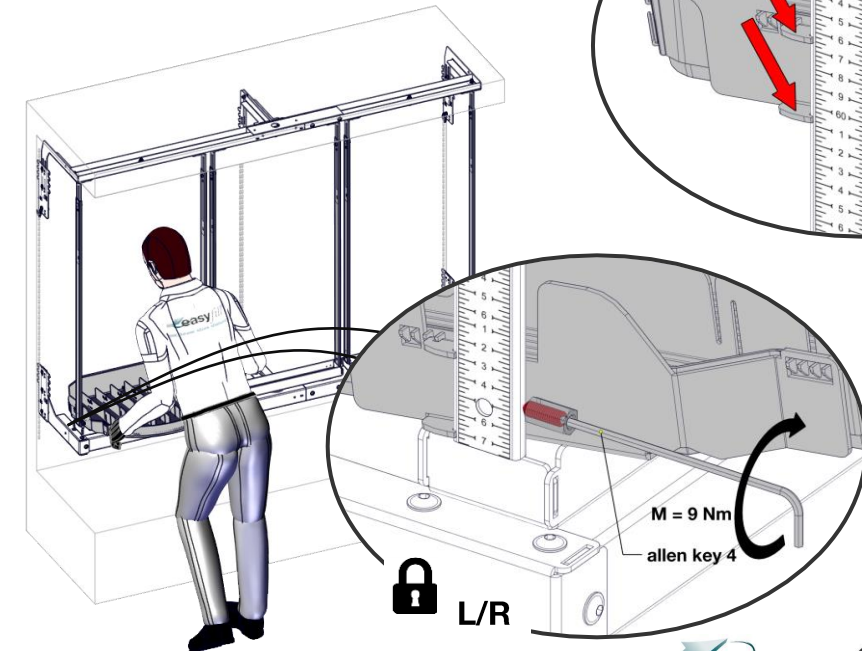
32



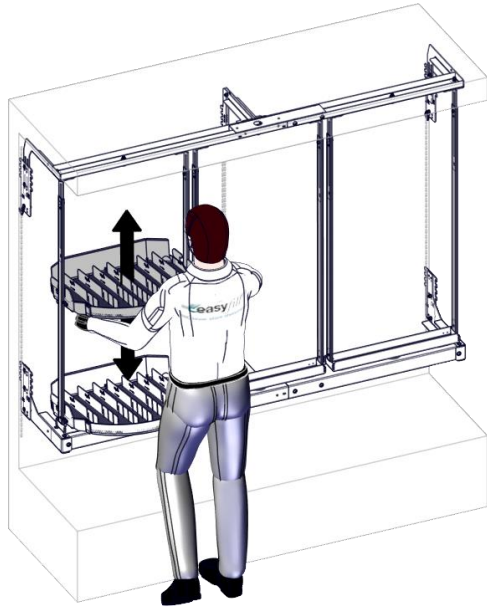
33



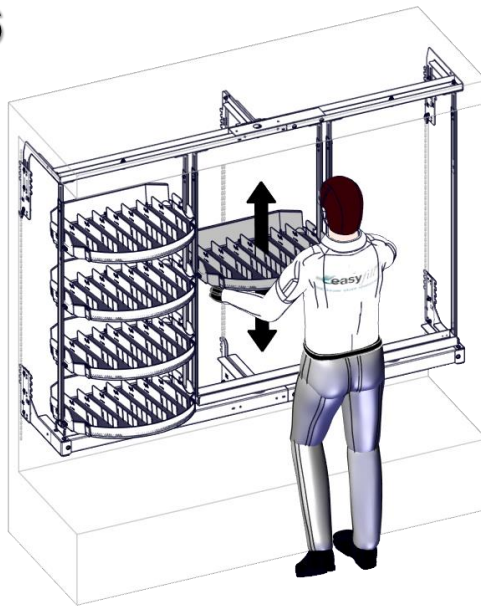
34



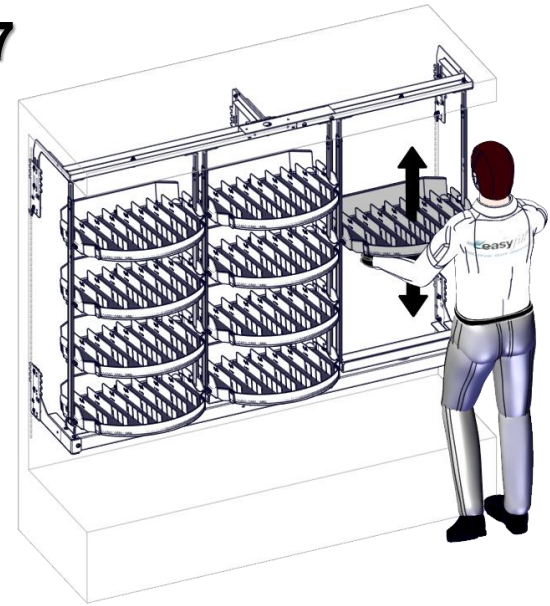
35



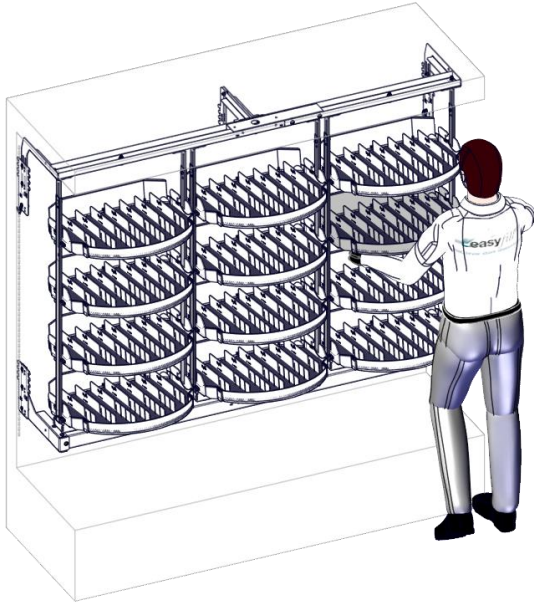
36



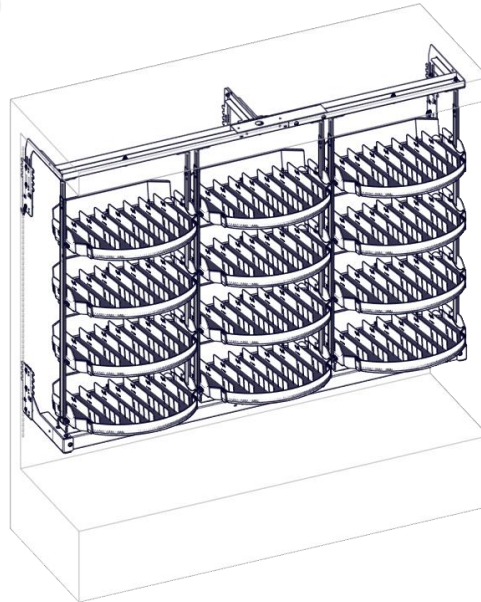
37



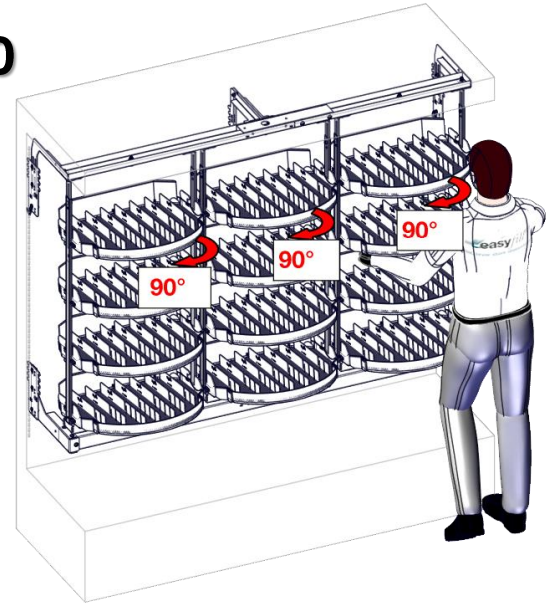
38

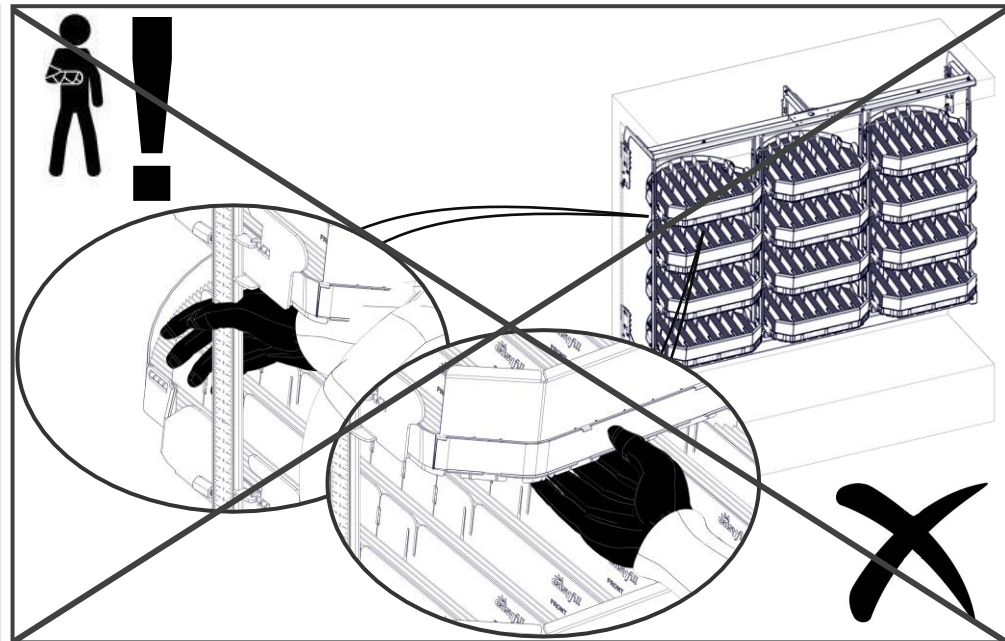
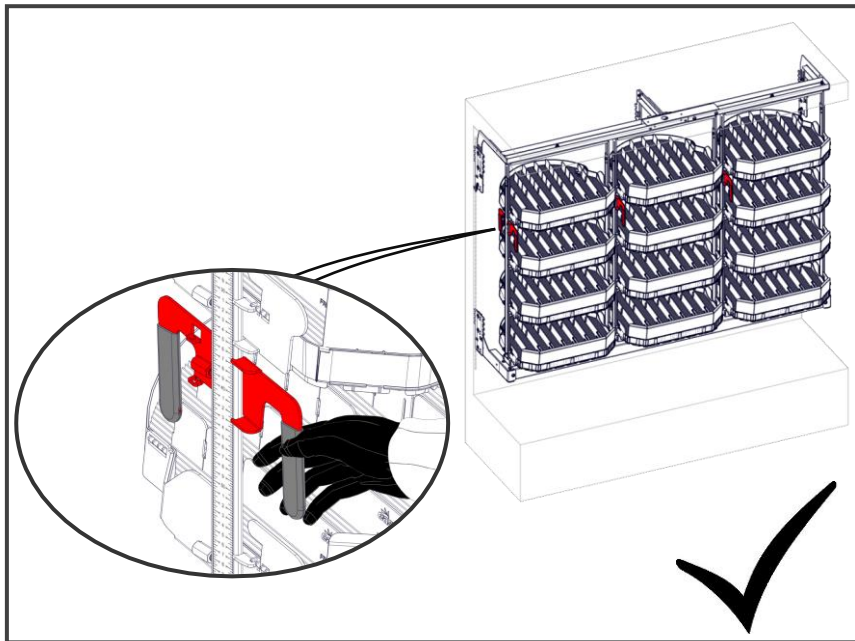
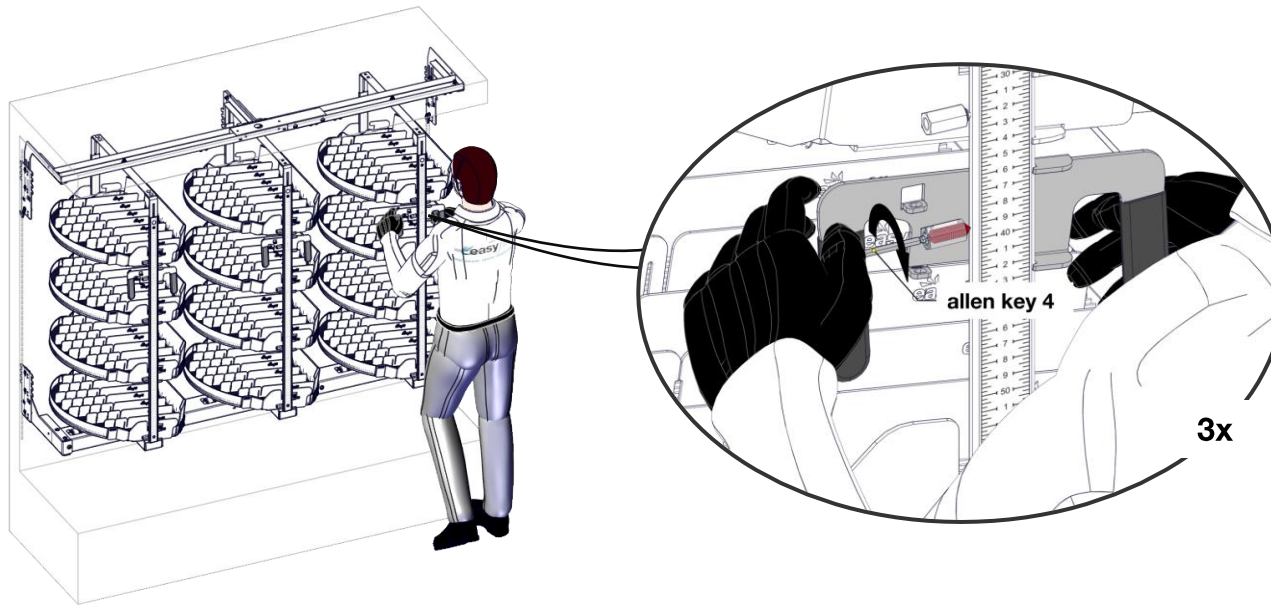


39

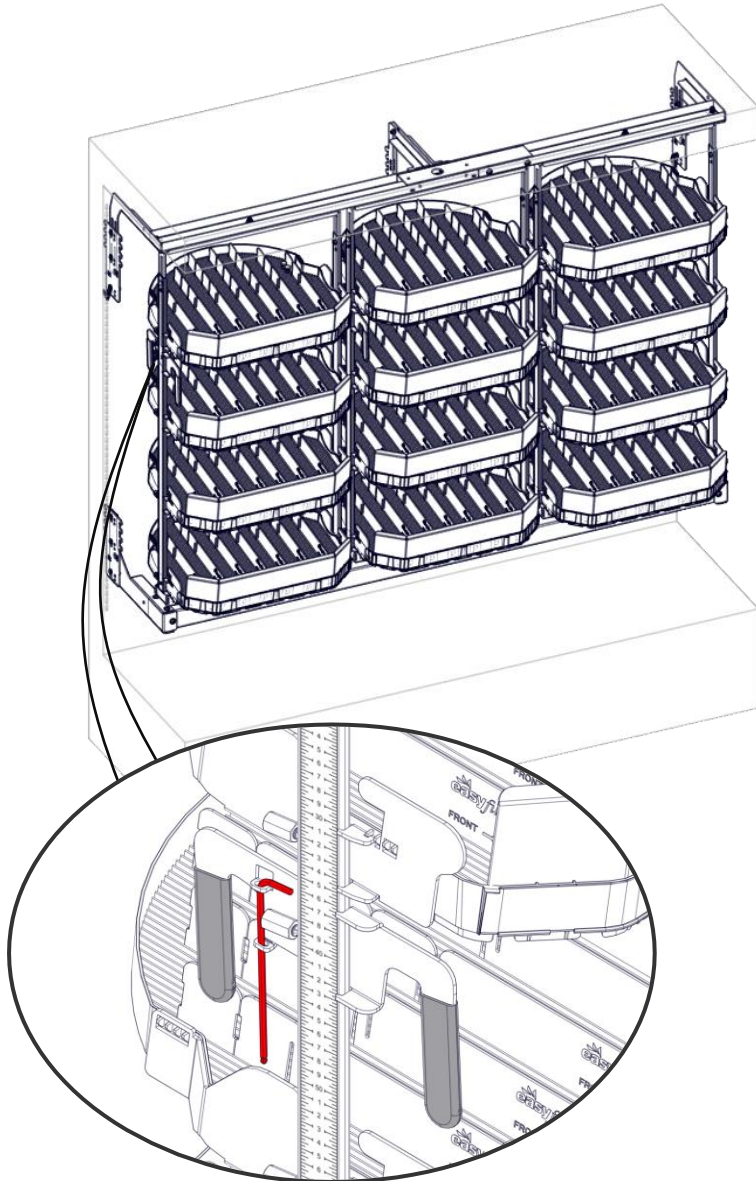


40

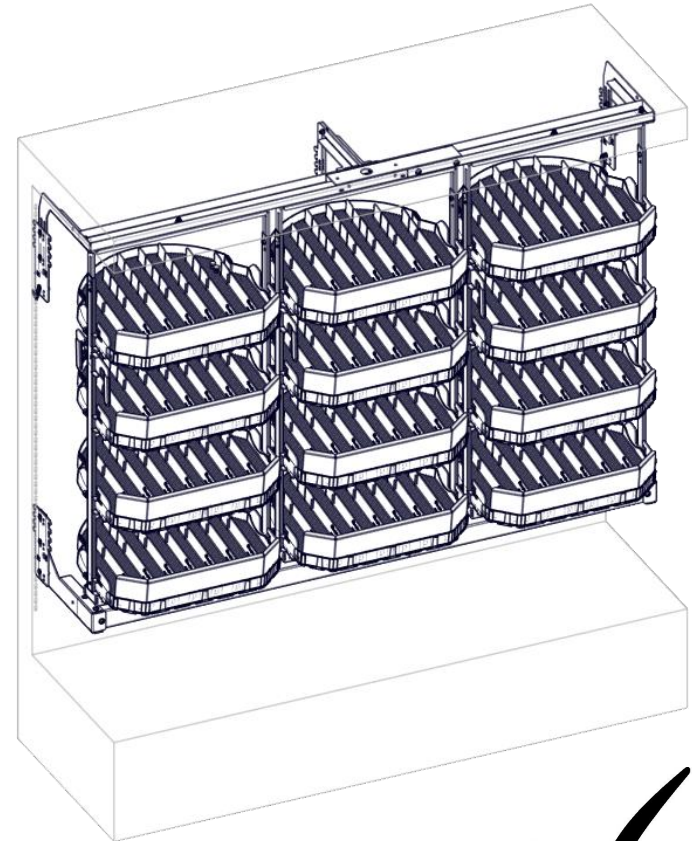




42



43

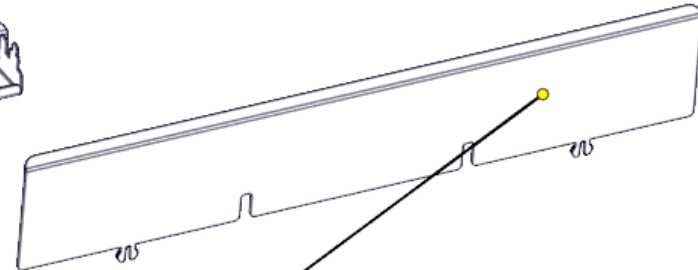
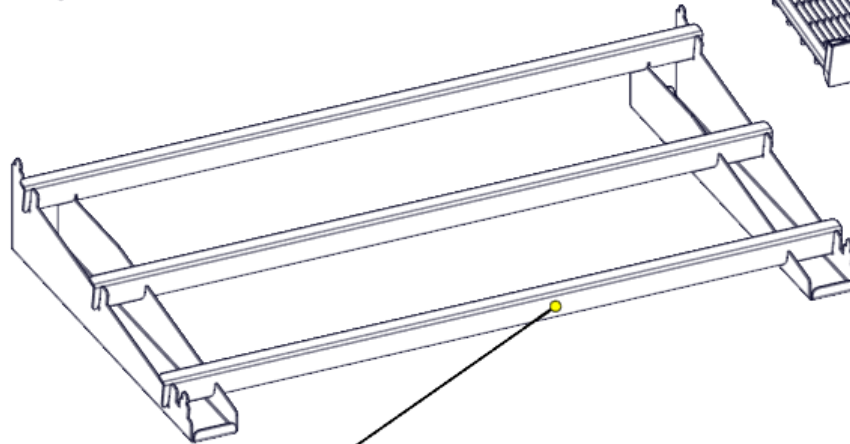
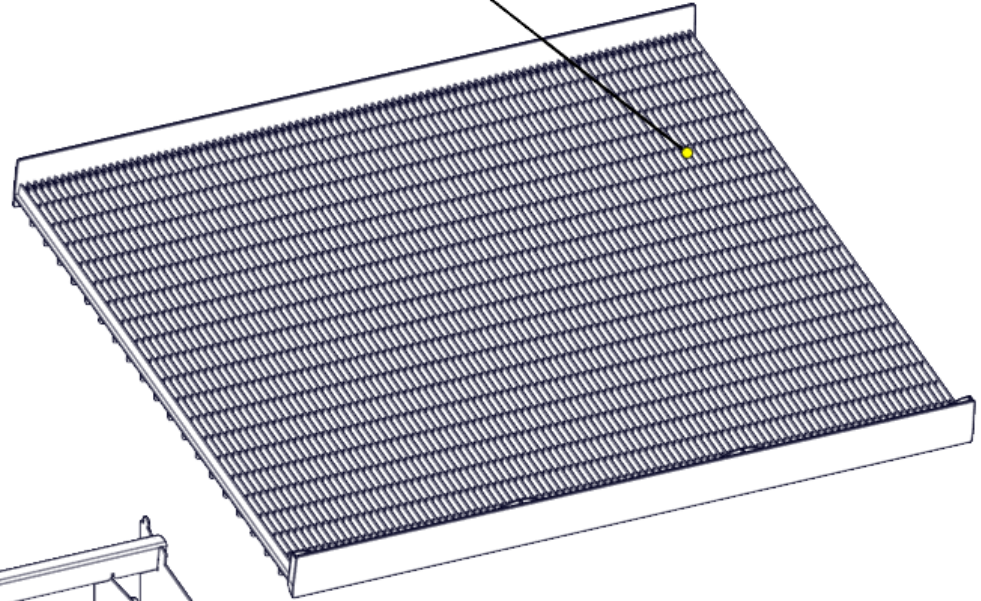
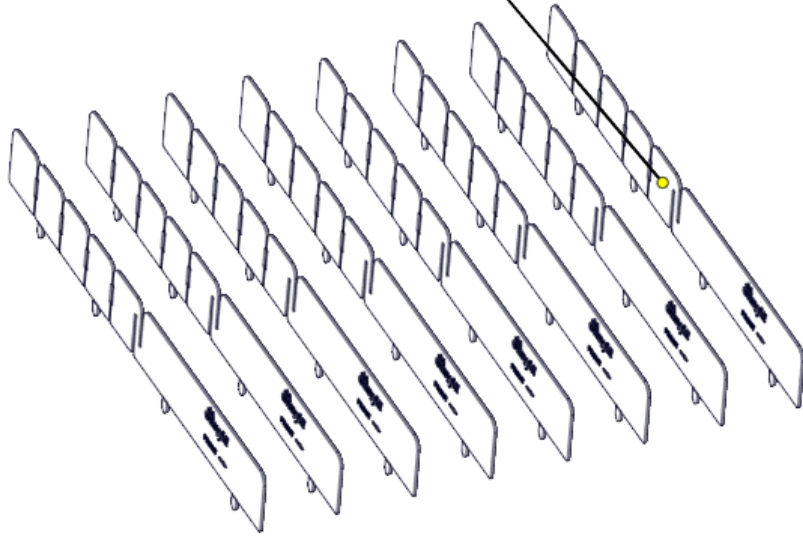


EXTRA SET Art.No. 100514

Art. No. 0193-70000-0 (2x)

Divider Easyfill Uni 620
Art. NO 400476

Plastic part of bottom shelf
Art. NO 400394

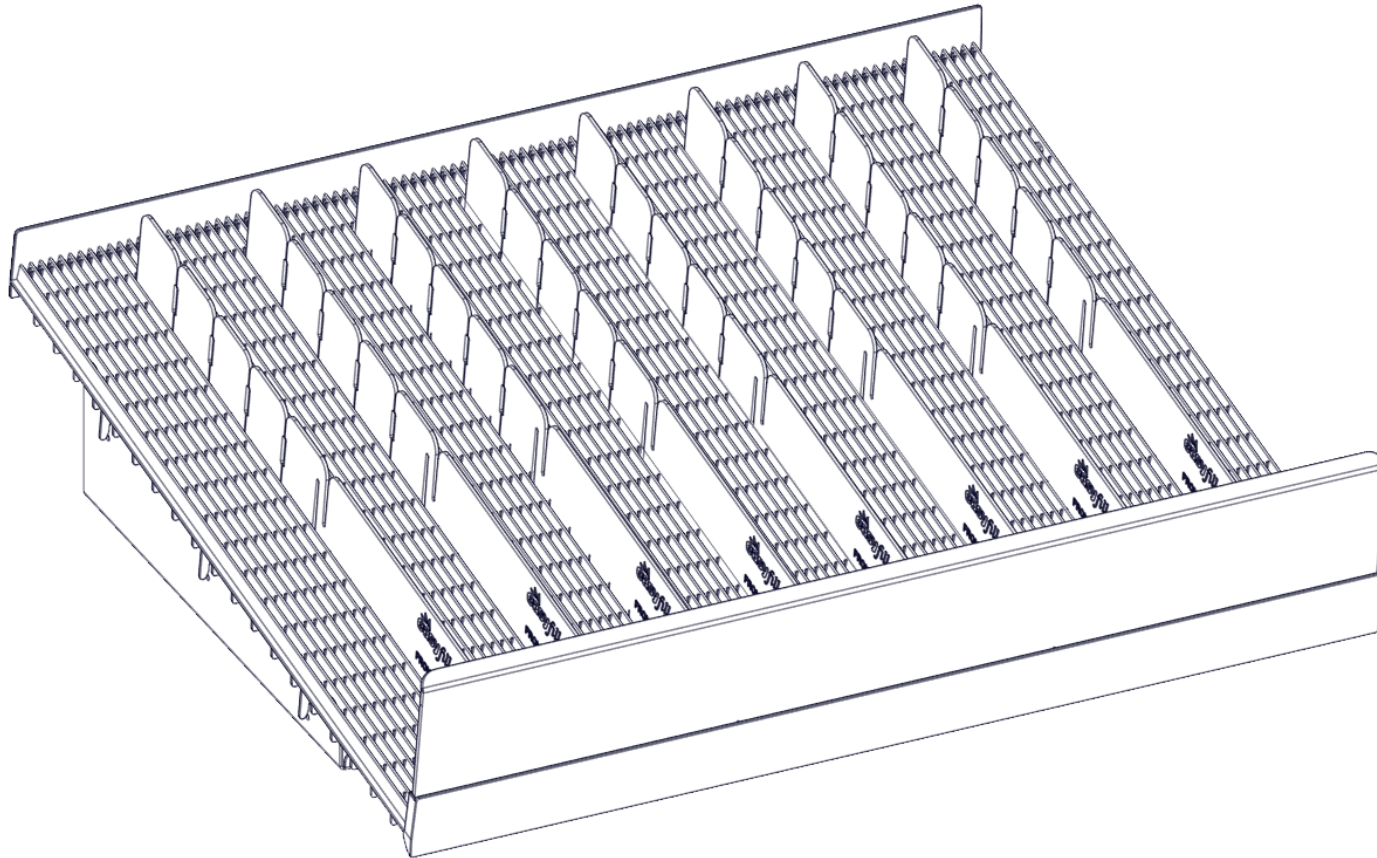


Bottom Shelf
Art. NO 0155-44100-0

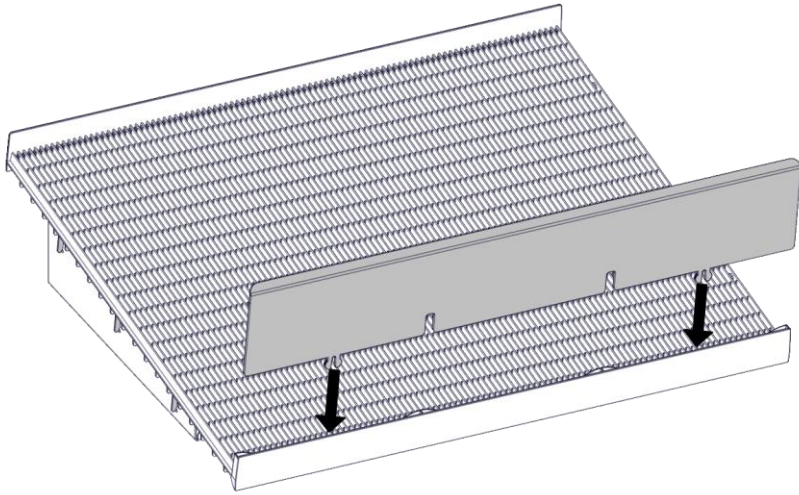
Frontstopper UNI 620 High H 113 mm
Art. NO 0620-00113

Installation of bottom shelf

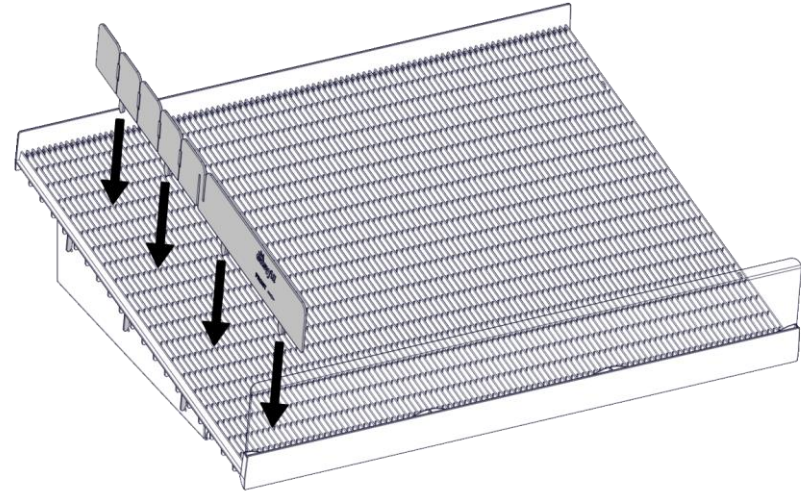
Art.No. 0193-70000-0 (3x)



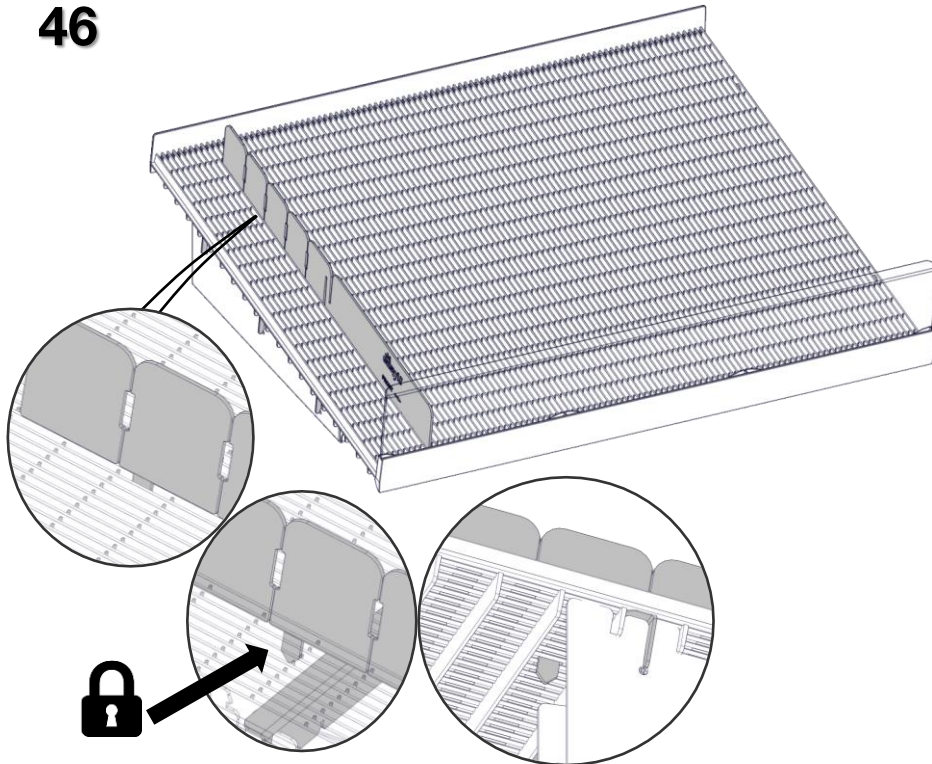
44



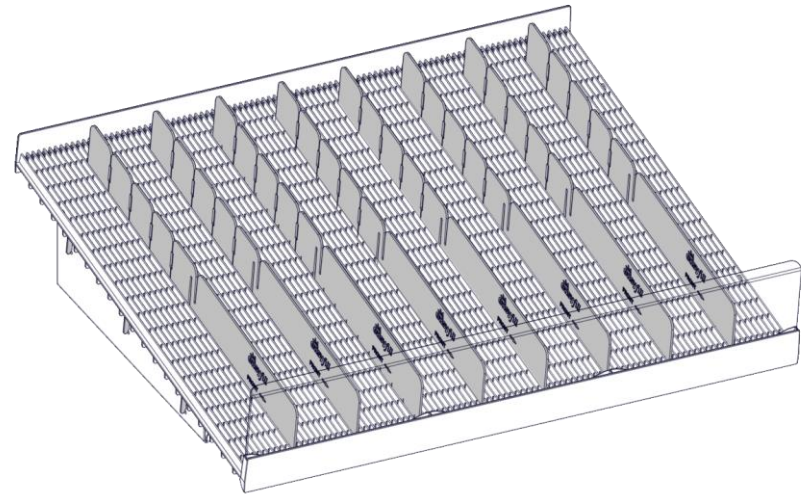
45



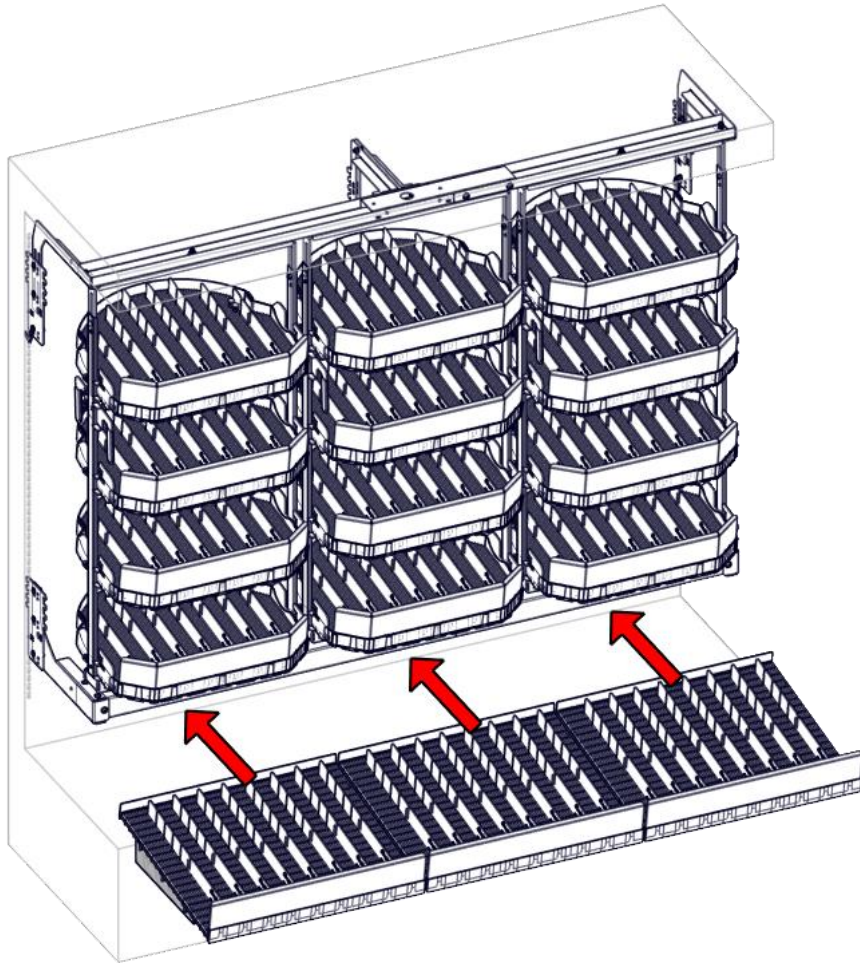
46



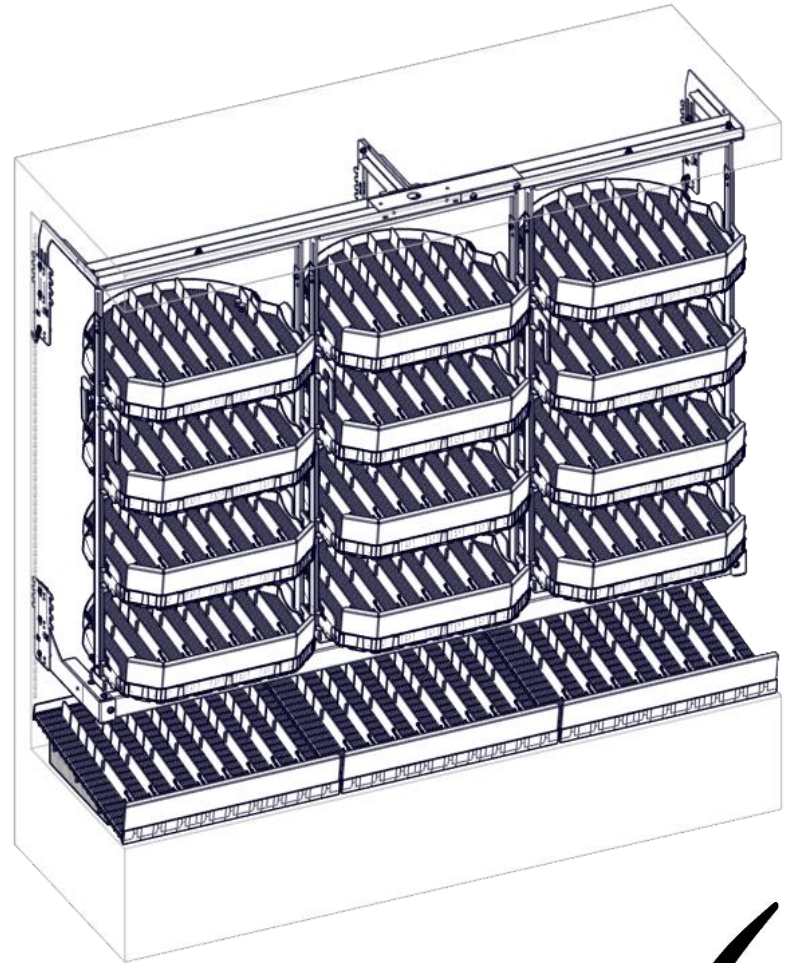
47



48



49



Thanks!
www.easyfill.se

ALL PICTURES SHOWN ARE FOR ILLUSTRATION PURPOSE ONLY.
ACTUAL PRODUCT MAY VARY DUE TO PRODUCT ENHANCEMENT.
ALL CHANGES ARE RESERVED BY EASYFILL.